



THE SOLLATEK
LED LIGHTING
RANGE

COMPLETE RANGE OF LED LIGHTING
SOLUTIONS

Revision 1.2

*Sollatek*TM
LED Lighting



Sollatek offers a wide range of LED lighting products for interior and exterior applications. We have many years of experience working with clients and developing new and innovative products.



The Sollatek LED Lighting range provides lighting solutions for many sectors:

- Retail and wholesale
- Industrial and commercial
- Offices and warehouses
- Public sector
- Hospitality

As the problems associated with global warming become more widely recognised, measures to save energy and therefore the environment, become increasingly desirable.

Key features:

- High quality
- Cost effective
- Many products have high efficacy
- 5 year warranty
- In-house lighting design service
- In-house engineering support team



Global and Local

Established for over thirty years in the United Kingdom, Sollatek is a designer and manufacturer of LED lighting. Offering innovative products in power control, energy saving, temperature control and also solar energy.

Our OEM manufacturing plants use the latest equipment including SMD machines for PCB production and Spectral Analysers for light quality.

All our luminaires are individually tested in run-in tunnels and optical tests are performed on the line before being shipped to the UK facility for final QC/QA inspection and delivery to the customer.

Our rigorous testing procedures ensure high quality luminaires with longevity guaranteed and include:-

- EMC - SAFETY - RELIABILITY - MECHANICAL - PHOTOMETRIC TESTING

With its head office in the UK, Sollatek has a network of partners across the globe.

The Sollatek network comprises of local Sollatek companies (with service centres) in over ten countries and distributors and resellers in over fifty countries.

With customers across the world and a local presence in more than 50 countries, Sollatek is able to provide support services wherever you are.

Angola	Ghana	Liberia	Nigeria	Uganda
Botswana	Greece	Libya	Pakistan	United Kingdom (HQ)
Cameroon	Hong Kong	Malawi	Saudi Arabia	USA
Channel Islands	India	Mozambique	South Africa	Zambia
Cyprus	Iraq	Namibia	Spain	Zimbabwe
Egypt	Kazakhstan	Nepal	Sri Lanka	
Ethiopia	Kenya	Netherlands	Tanzania	



SOLLATEK INTERIOR LUMINAIRES

DOWN LIGHTS



PAGE 6

PANEL LIGHTS



PAGE 15

LINEAR LIGHTS



PAGE 23

SPOT LIGHTS



PAGE 27

WEATHERPROOF BATTENS



PAGE 33

HIGH BAY /LOW BAY



PAGE 39

SOLLATEK EXTERIOR LUMINAIRES

FLOOD LIGHTS



PAGE 46

CANOPY LIGHTS



PAGE 54

LANDSCAPE LIGHTS



PAGE 58

STREET LIGHTS



PAGE 63



PAGE 74



SOLLATEK INTERIOR LUMINAIRES

DOWN LIGHTS



Our range of diffused downlighters are available in 4", 6", and 8" fitments
from 9W to 21.5W



PRO DIFFUSED 10W



Optical and Electrical

Power	10W		
Lumen output	750lm		
Colour temperature	3000K	4000K	6500K
CRI	>80		
Efficacy	80lm/W		
Beam angle	110°		
Lifetime	35,000 Hrs		
IP rating	IP20		

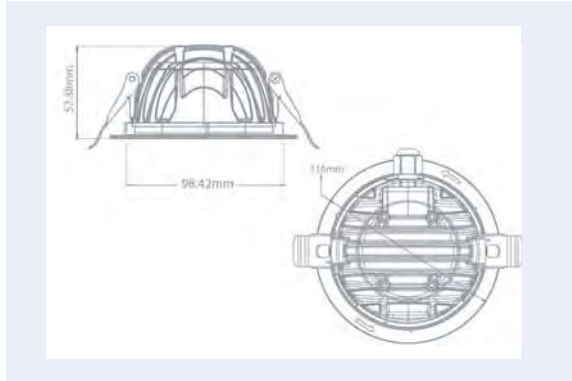
Mechanical

Operating temperature	0°C/+40°C
Dimensions	116 x 57.38mm
Product weight	0.4kg

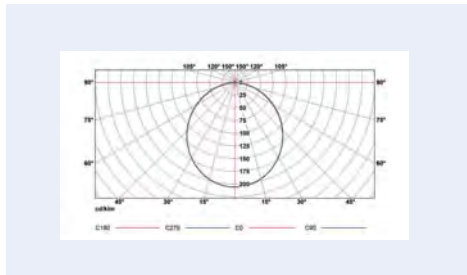
Options

Emergency kit	Optional
Dimmable	1-10V optional DALI optional

Dimensions



Light Curve





PRO DIFFUSED 14.5W



Optical and Electrical

Power	14.5W		
Lumen output	1150lm		
Colour temperature	3000K	4000K	6500K
CRI	>80		
Efficacy	80lm/W		
Beam angle	110°		
Lifetime	35,000 Hrs		
IP rating	IP20		

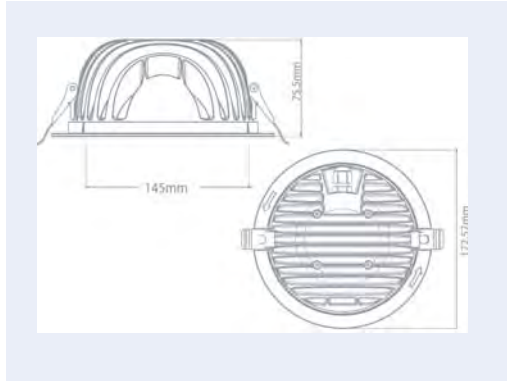
Mechanical

Operating temperature	0°C/+40°C
Dimensions	172.57 x 75.5mm
Product weight	0.71kg

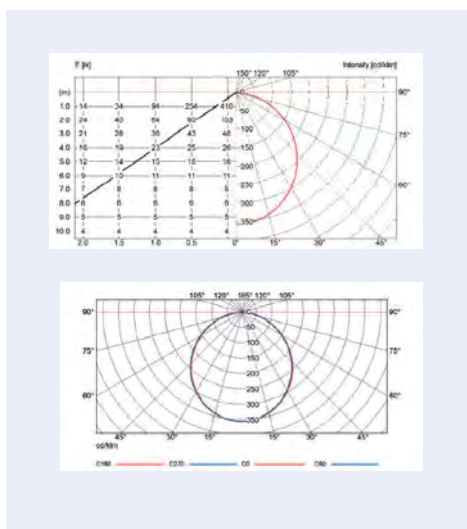
Options

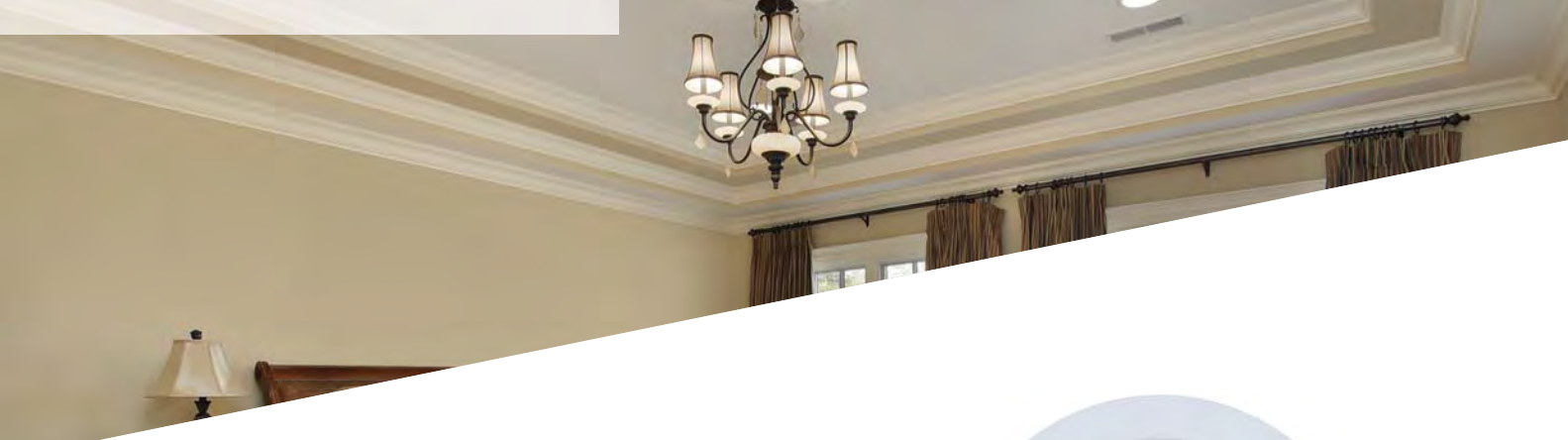
Emergency kit	Optional
Dimmable	1-10V optional DALI optional

Dimensions



Light Curve





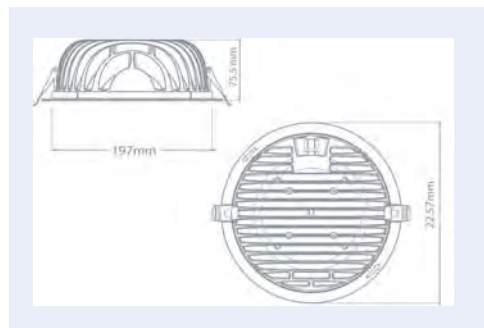
PRO DIFFUSED 21.5W



Optical and Electrical

Power	21.5W		
Lumen output	1800lm		
Colour temperature	3000K	4000K	6500K
CRI	>80		
Efficacy	83lm/W		
Beam angle	110°		
Lifetime	35,000 Hrs		
IP rating	IP20		

Dimensions



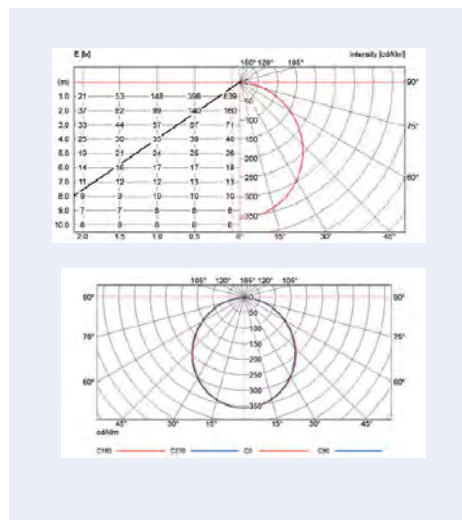
Mechanical

Operating temperature	0°C/+40°C
Dimensions	225.7 x 75.5mm
Product weight	1.1kg

Options

Emergency kit	Optional
Dimmable	1-10V optional DALI optional

Light Curve





ECO DIFFUSED 9W



Optical and Electrical

Power	9W		
Lumen output	750lm		
Colour temperature	3000K	4000K	6500K
CRI	>80		
Efficacy	83lm/W		
Beam angle	110°		
Lifetime	35,000 Hrs		
IP rating	IP20		

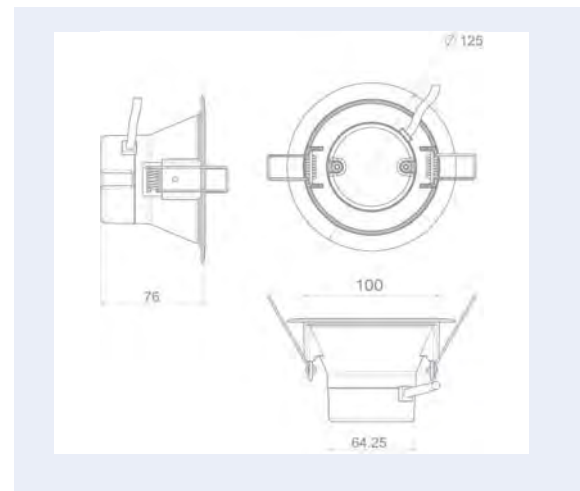
Mechanical

Operating temperature	0°C/+40°C
Dimensions	125 x 76mm

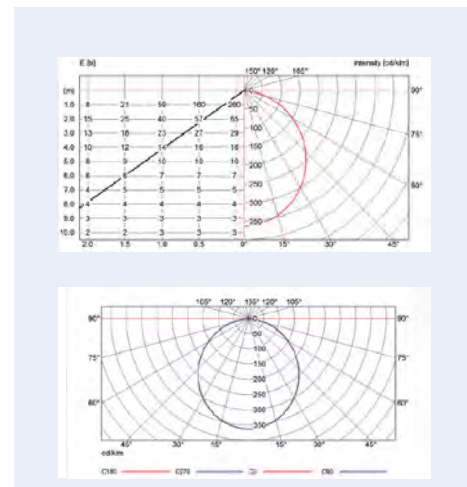
Options

Emergency kit	-
Dimmable	1-10V optional

Dimensions



Light Curve





ECO DIFFUSED 14.5W



Optical and Electrical

Power	14.5W
Lumen output	1150lm
Colour temperature	3000K 4000K 6500K
CRI	>80
Efficacy	79lm/W
Beam angle	110°
Lifetime	35,000 Hrs
IP rating	IP20

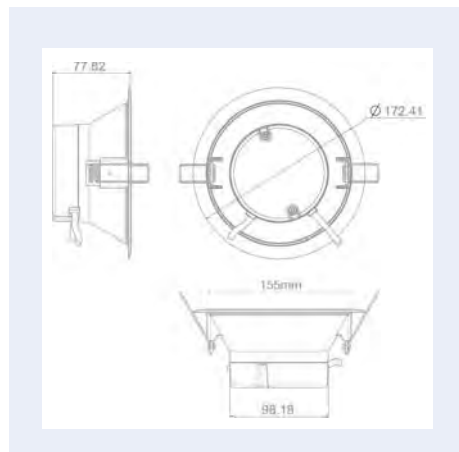
Mechanical

Operating temperature	0°C/+40°C
Dimensions	172.41 x 77.82mm

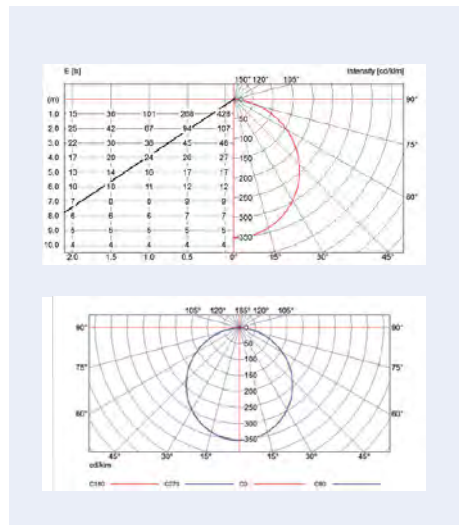
Options

Emergency kit	-
Dimmable	1-10V optional

Dimensions



Light Curve





ECO DIFFUSED 21.5W



Optical and Electrical

Power	21.5W
Lumen output	1800lm
Colour temperature	3000K 4000K 6500K
CRI	>80
Efficacy	86lm/W
Beam angle	45°
Lifetime	35,000 Hrs
IP rating	IP20

Mechanical

Operating temperature	0°C/+40°C
Dimensions	222.5 x 78.25mm

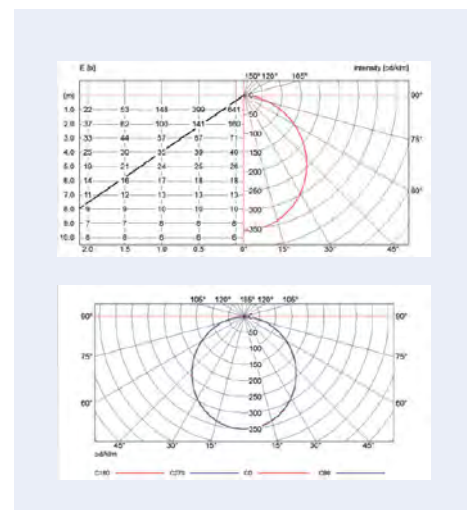
Options

Emergency kit	-
Dimmable	1-10V optional

Dimensions



Light Curve





WALL LIGHT

14.5W



Optical and Electrical

Power	14.5W		
Lumen output	1150lm		
Colour temperature	3000K	4000K	6500K
CRI	>80		
Efficacy	80lm/W		
Beam angle	45°		
Lifetime	35,000 Hrs		
IP rating	IP20		

Dimensions



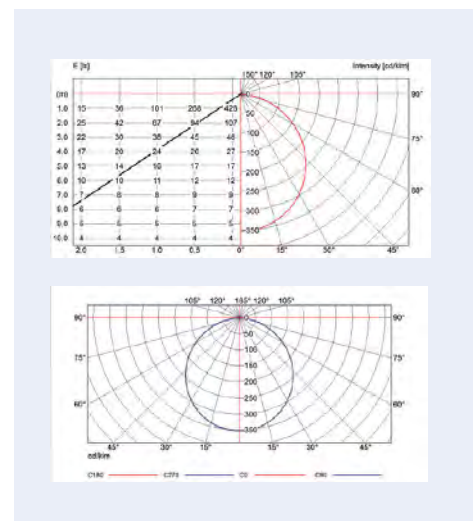
Mechanical

Operating temperature	0°C/+40°C
Dimensions	115.18 x 126mm

Options

3hr Emergency	Optional
Dimmable	1-10V optional DALI optional

Light Curve





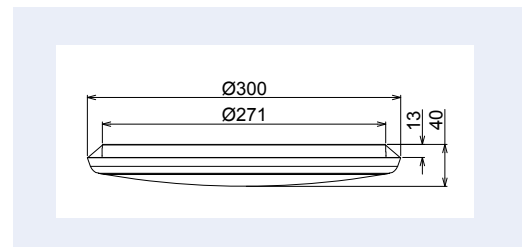
CEILING/WALL 2D REPLACEMENT 18W & 30W



Optical and Electrical

Power	18W	30W
Lumen output	1530lm	2800lm
Colour temperature	3000-5700K	3000-5700K
CRI	>80	
Efficacy	90lm/W	93lm/W
Beam angle	°	
Lifetime	40,000 Hrs	
IP rating	IP54	

Dimensions



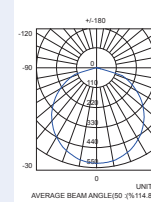
Mechanical

Operating temperature	0°C/+40°C
Dimensions	300 x 40mm

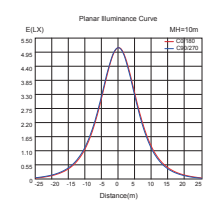
Light Curve

3000K

Polar intensity diagram



Cartesian intensity diagram

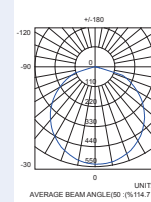


Options

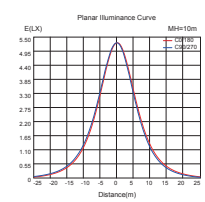
3hr Emergency	Optional
Dimmable	1-10V optional
Occupancy sensor	PIR, optional

4000K

Polar intensity diagram



Cartesian intensity diagram





SOLLATEK INTERIOR LUMINAIRES

PANEL LIGHTS



Our extensive range of backlit grid panel lights is available in 30x30, 30x120, 60x60, and 60x120 sizes. We also offer a range of eco design versions with frosted panels with lower power output in the 60x60 range.



BACKLIT 30x30

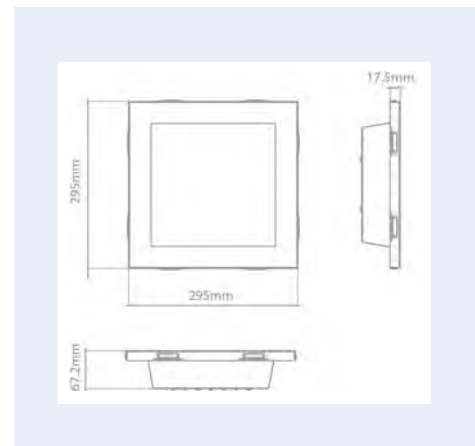
10.5W



Optical and Electrical

Power	10.5W
Lumen output	800lm
Colour temperature	3000K 4000K 6500K
CRI	>80
Efficacy	76lm/W
Beam angle	110°
Lifetime	50,000 Hrs
IP rating	IP20

Dimensions



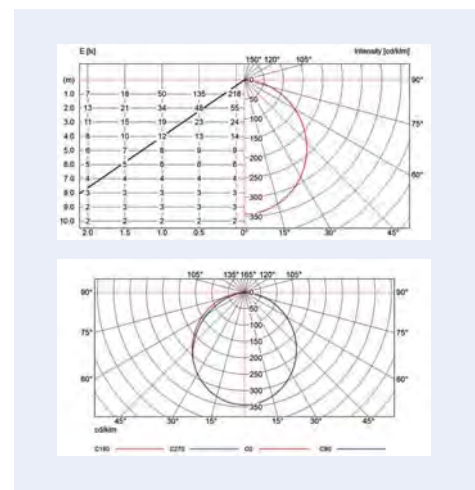
Mechanical

Operating temperature	0°C/+40°C
Dimensions	295 x 295 x 67.2mm
Product weight	1.5kg

Options

3hr Emergency	Optional
Dimmable	1-10V optional DALI optional

Light Curve





BACKLIT 60x60

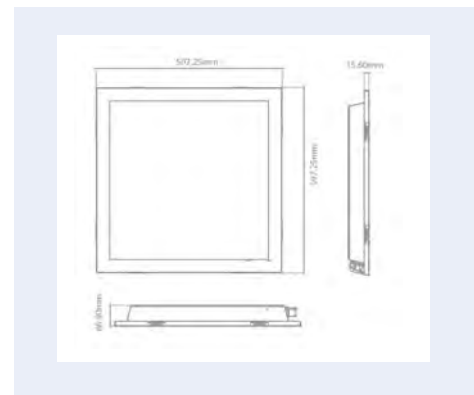
28W



Optical and Electrical

Power	28W		
Lumen output	2650lm		
Colour temperature	3000K	4000K	6500K
CRI	>80		
Efficacy	95lm/W		
Beam angle	110°		
Lifetime	50,000 Hrs		
IP rating	IP20		

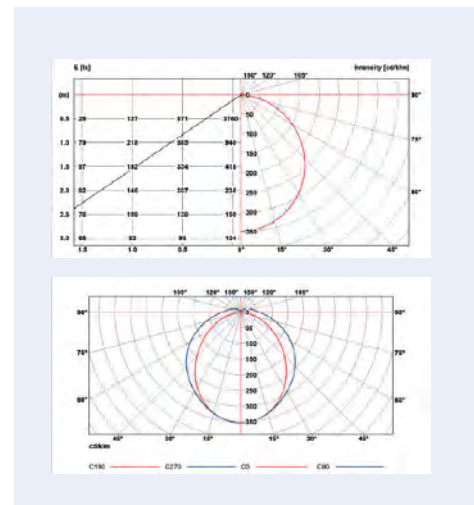
Dimensions



Mechanical

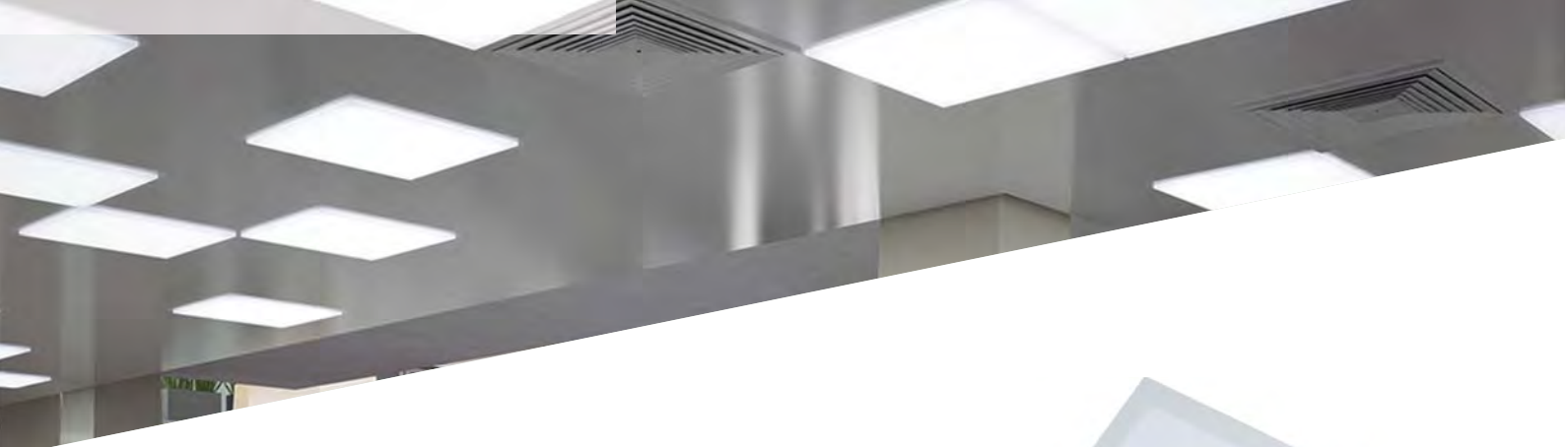
Operating temperature	0°C/+40°C
Dimensions	597.25 x 597.25 x 66.90mm
Product weight	5.1kg

Light Curve



Options

3hr Emergency	Optional
Dimmable	1-10V optional DALI optional



BACKLIT 60x60

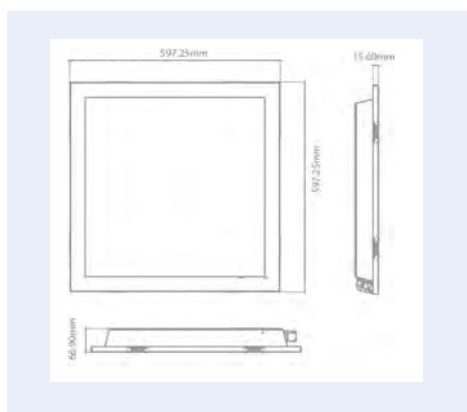
34W



Optical and Electrical

Power	34W		
Lumen output	3400lm		
Colour temperature	3000K	4000K	6500K
CRI	>80		
Efficacy	100lm/W		
Beam angle	110°		
Lifetime	50,000 Hrs		
IP rating	IP20		

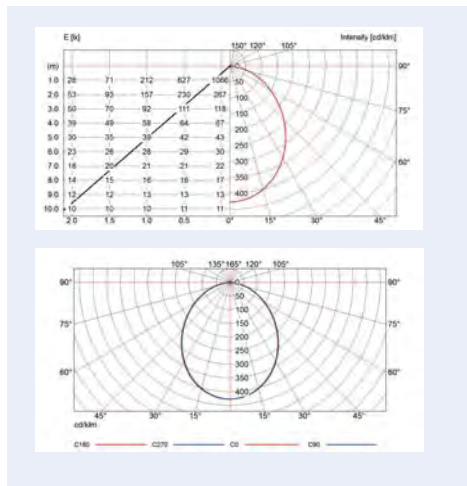
Dimensions



Mechanical

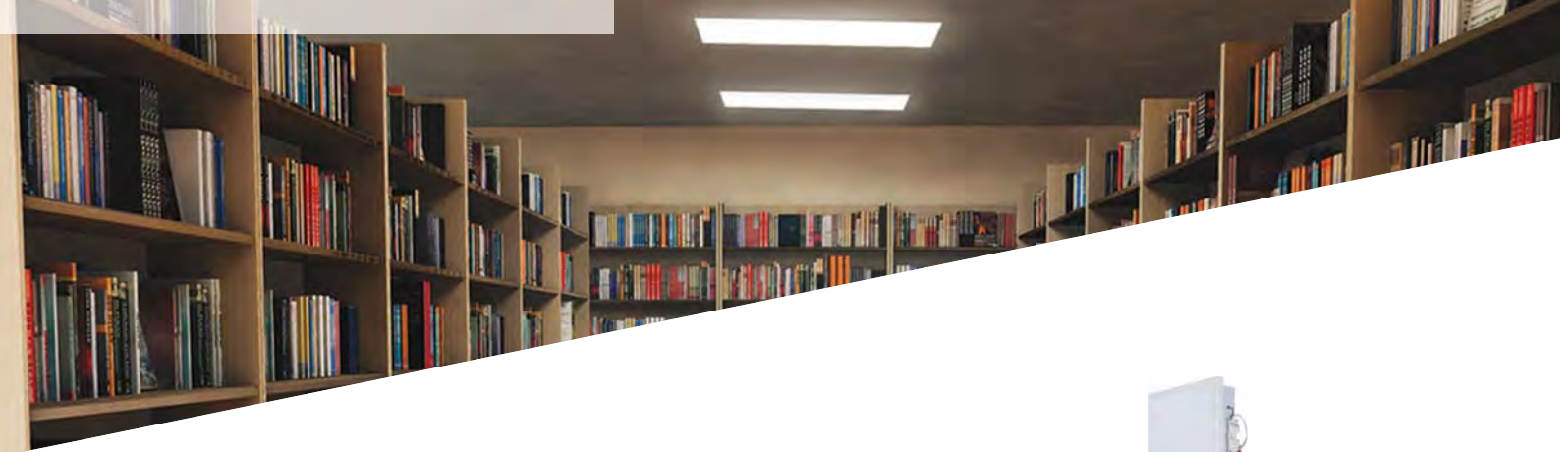
Operating temperature	0°C/+40°C
Dimensions	597.25 x 597.25 x 66.90mm
Product weight	5.1kg

Light Curve



Options

3hr Emergency	Optional
Dimmable	1-10V optional DALI optional



BACKLIT 30x120

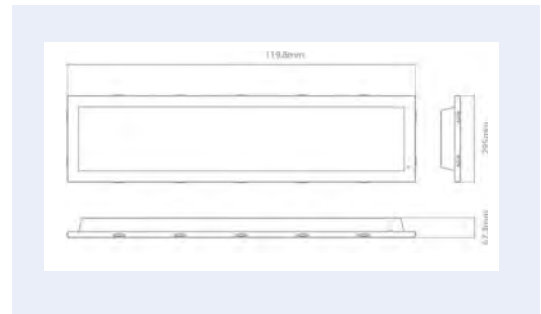
33W



Optical and Electrical

Power	33W		
Lumen output	3200lm		
Colour temperature	3000K	4000K	6500K
CRI	>80		
Efficacy	97lm/W		
Beam angle	110°		
Lifetime	50,000 Hrs		
IP rating	IP20		

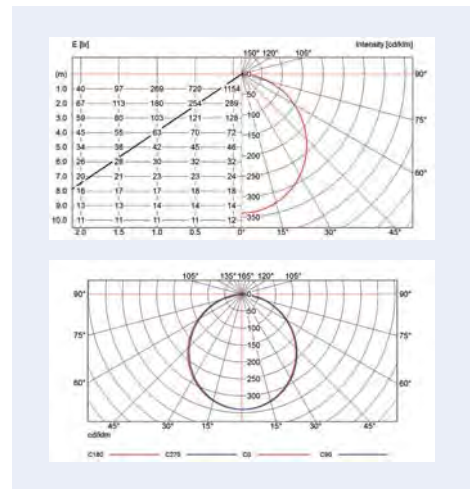
Dimensions



Mechanical

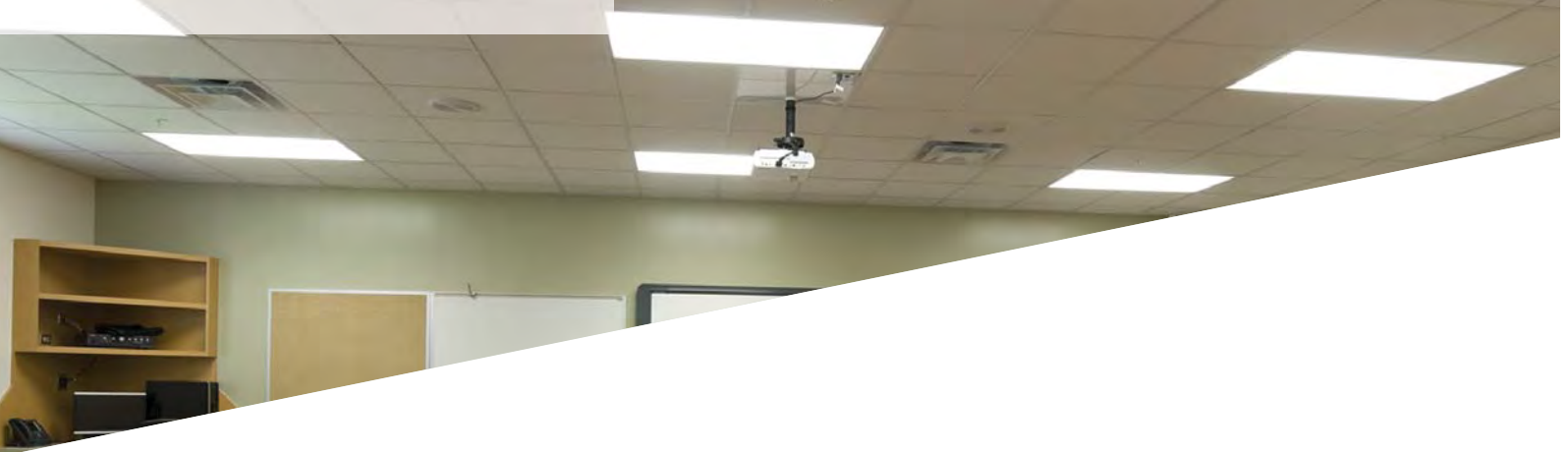
Operating temperature	0°C/+40°C
Dimensions	119.8 x 295 x 67.3mm
Product weight	5.1kg

Light Curve



Options

3hr Emergency	Optional
Dimmable	1-10V optional DALI optional



BACKLIT 60x120

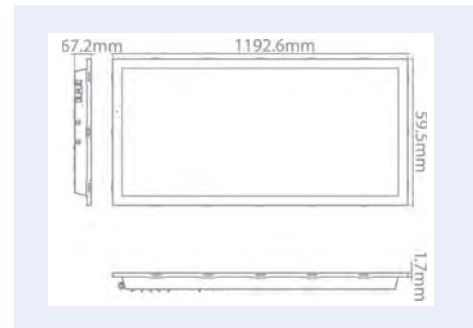
59W



Optical and Electrical

Power	59W		
Lumen output	5400lm		
Colour temperature	3000K	4000K	6500K
CRI	>80		
Efficacy	92 lm/W		
Beam angle	110°		
Lifetime	50,000		
IP rating	IP20		

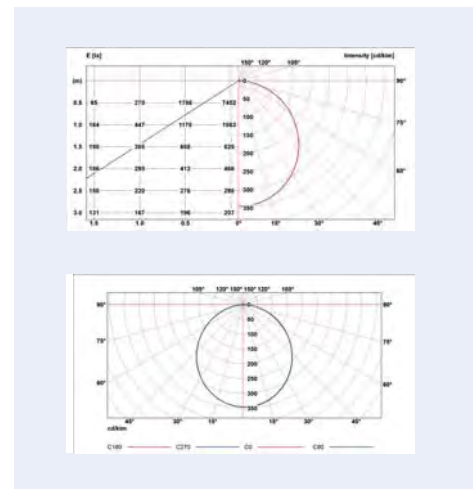
Dimensions



Mechanical

Operating temperature	0°C/+40°C
Dimensions	59.5 X 1192.6 x 67.2mm
Product weight	9.5KG

Light Curve



Options

Emergency kit	Optional
Dimmable	1-10V optional DALI optional



BACKLIT ECO 60x60

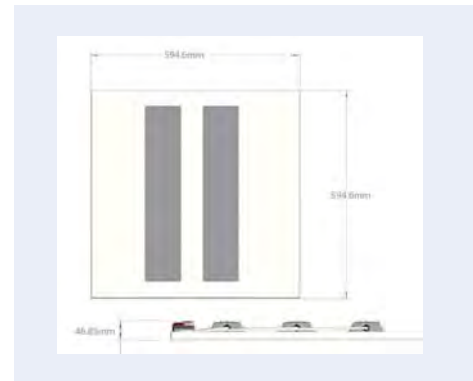
25W



Optical and Electrical

Power	25W
Lumen output	2300lm
Colour temperature	3000K 4000K 6500K
CRI	>80
Efficacy	92 lm/W
Beam angle	110°
Lifetime	35,000
IP rating	IP20

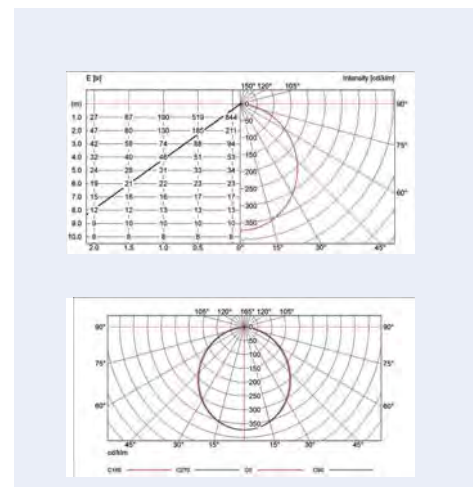
Dimensions



Mechanical

Operating temperature	0°C/+40°C
Dimensions	594.6 X 594.6 x 46.85mm
Product weight	1.85KG

Light Curve



Options

Emergency kit	Optional
Dimmable	1-10V optional DALI optional



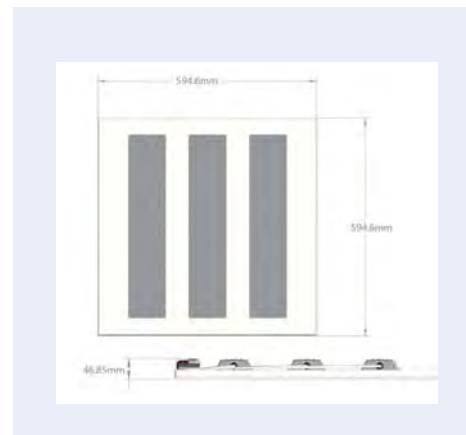
BACKLIT ECO 60x60 HIGH LUMEN 35W



Optical and Electrical

Power	35W
Lumen output	3000lm
Colour temperature	3000K 4000K 6500K
CRI	>80
Efficacy	85 lm/W
Beam angle	110°
Lifetime	35,000
IP rating	IP20

Dimensions



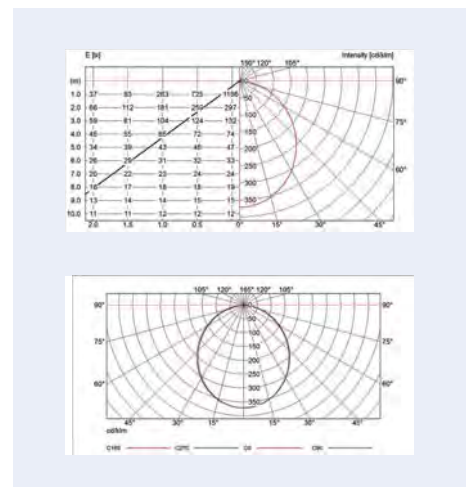
Mechanical

Operating temperature	0°C/+40°C
Dimensions	594.6 X 594.6 x 46.85mm
Product weight	1.85KG

Options

Emergency kit	Optional
Dimmable	1-10V optional DALI optional

Light Curve





SOLLATEK INTERIOR LUMINAIRES

LINEAR LIGHTS



Our range of linear lighting products can be used in a suspended or concealed environment. In sizes from 60cm to 120cm, they are suitable for offices, hallways, and concealed lighting areas.



DIFFUSED LINEAR LIGHT

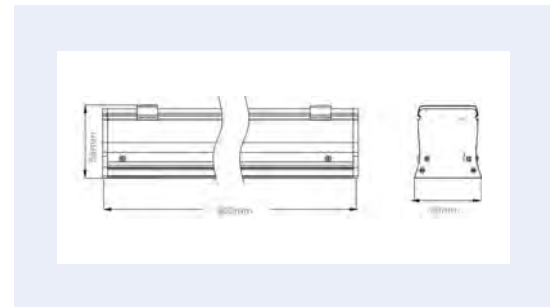
14W



Optical and Electrical

Power	14W		
Lumen output	1200lm	1300lm	1300lm
Colour temperature	3000K	4000K	6500K
CRI	>80		
Efficacy	85lm/W	100lm/W	100lm/W
Beam angle	110°		
Lifetime	50,000		
IP rating	IP20		

Dimensions



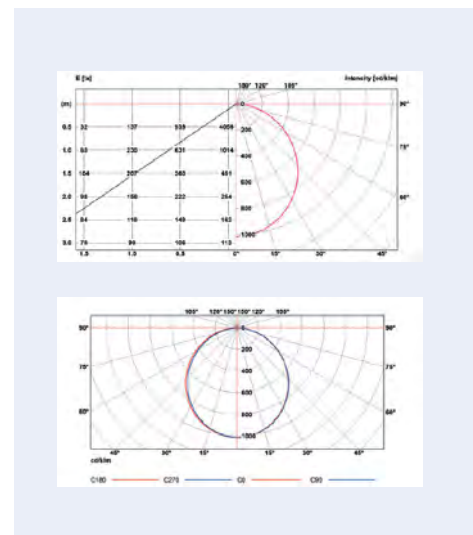
Mechanical

Operating temperature	0°C/+40°C
Dimensions	600 X 86 x 80mm
Product weight	1.8KG

Options

Emergency kit	Optional
Dimmable	1-10V optional DALI optional

Light Curve



DIFFUSED LINEAR LIGHT

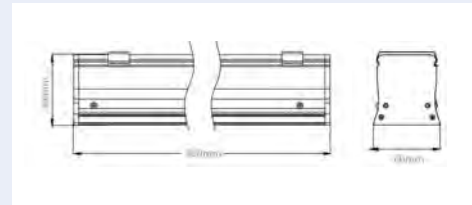
19W



Optical and Electrical

Power	19W		
Lumen output	1650lm	1850lm	1850lm
Colour temperature	3000K	4000K	6500K
CRI	>80		
Efficacy	85lm/W	100lm/W	100lm/W
Beam angle	110°		
Lifetime	50,000		
IP rating	IP20		

Dimensions



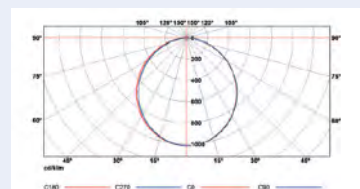
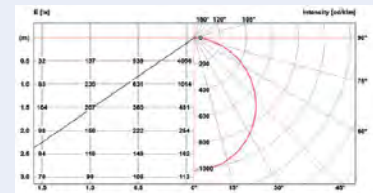
Mechanical

Operating temperature	0°C/+40°C
Dimensions	900 X 86 x 80mm
Product weight	2.4KG

Options

Emergency kit	Optional
Dimmable	1-10V optional DALI optional

Light Curve





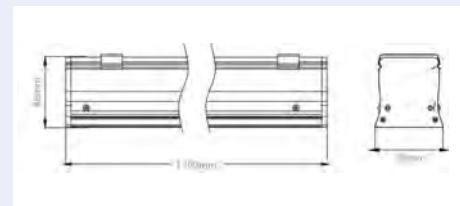
DIFFUSED LINEAR LIGHT 28W



Optical and Electrical

Power	28W		
Lumen output	2500lm	2700lm	3100lm
Colour temperature	3000K	4000K	6500K
CRI	>80		
Efficacy	90lm/W	100lm/W	110lm/W
Beam angle	110°		
Lifetime	50,000		
IP rating	IP20		

Dimensions



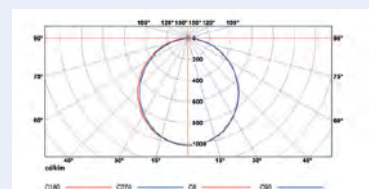
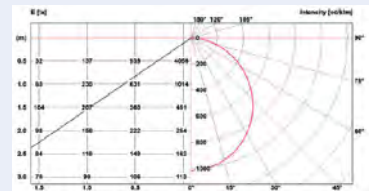
Mechanical

Operating temperature	0°C/+40°C
Dimensions	1200 x 86 x 80mm
Product weight	3KG

Options

Emergency kit	Optional
Dimmable	1-10V optional DALI optional

Light Curve





SOLLATEK INTERIOR LUMINAIRES

SPOT LIGHTS



Our track and spot lights complement retail spaces and areas that require individual lighting.

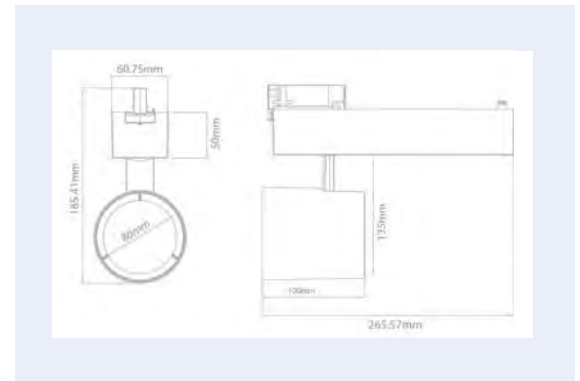


TRACK LIGHT

21W



Dimensions



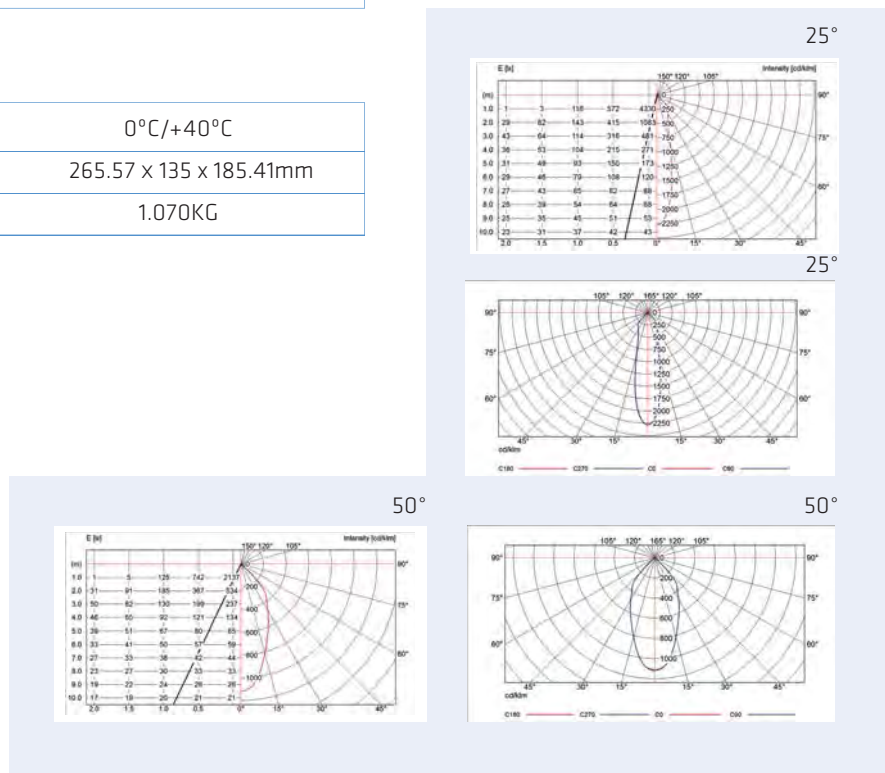
Optical and Electrical

Power	21W
Lumen output	1900lm
Colour temperature	3000K 4000K
CRI	>80
Efficacy	91lm/W
Beam angle	25°/50°
Lifetime	35,000
IP rating	IP22

Mechanical

Operating temperature	0°C/+40°C
Dimensions	265.57 x 135 x 185.41mm
Product weight	1.070KG

Light Curve

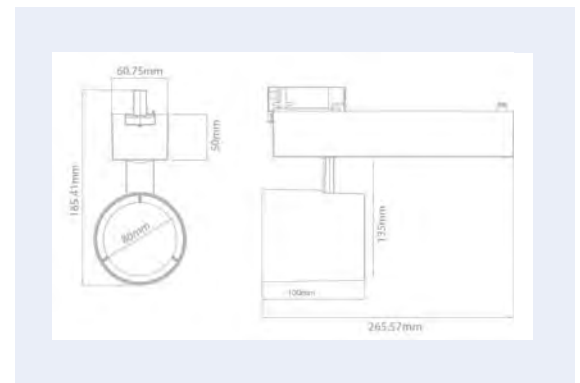




TRACK LIGHT 36W



Dimensions



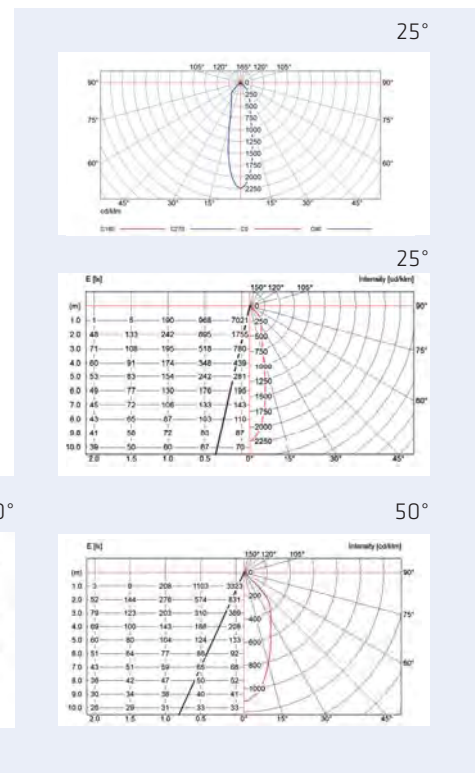
Optical and Electrical

Power	36W
Lumen output	3400lm
Colour temperature	3000K 4000K
CRI	>80
Efficacy	94lm/W
Beam angle	25°/50°
Lifetime	40,000
IP rating	IP22

Mechanical

Operating temperature	0°C/+40°C
Dimensions	265.57 x 135 x 185.41mm
Product weight	1.070KG

Light Curve





SQUARE SPOT

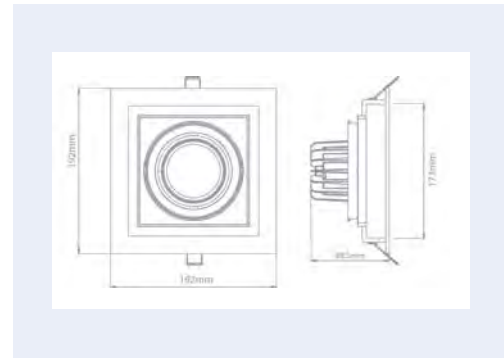
14W



Optical and Electrical

Power	14W
Lumen output	1500lm
Colour temperature	3000K 4000K
CRI	>80
Efficacy	107lm/W
Beam angle	20°/36°
Lifetime	30,000
IP rating	IP20

Dimensions



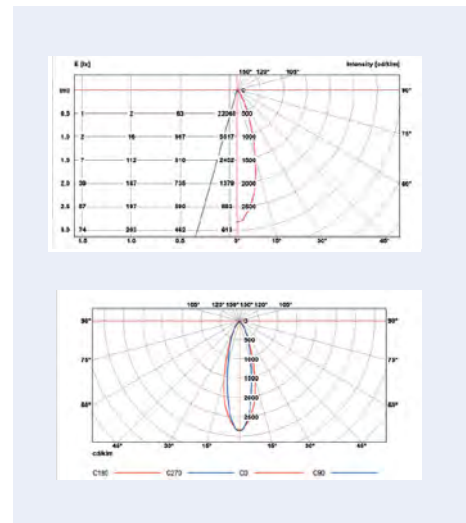
Mechanical

Operating temperature	0°C/+40°C
Dimensions	192 x 192 x 88.5mm

Options

Dimmable	1-10V optional
----------	----------------

Light Curve



TWIN SPOT 28W



Optical and Electrical

Power	28W
Lumen output	2800lm
Colour temperature	3000K 4000K
CRI	>80
Efficacy	100lm/W
Beam angle	25°/36°
Lifetime	35,000
IP rating	IP20

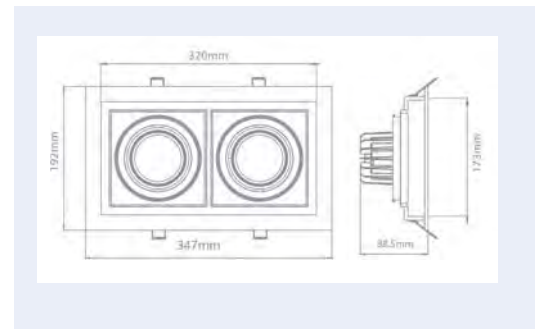
Mechanical

Operating temperature	0°C/+40°C
Dimensions	347 x 192 x 88.5mm

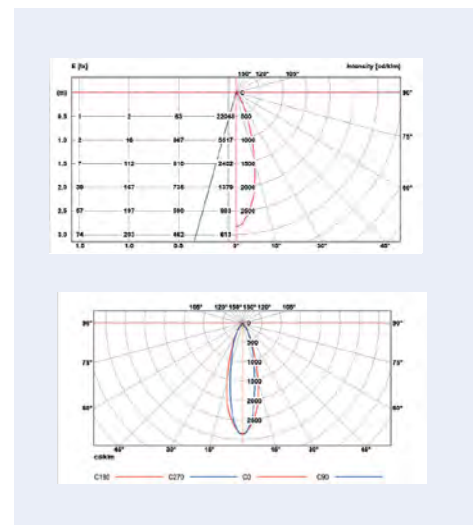
Options

Dimmable	1-10V optional
----------	----------------

Dimensions



Light Curve





TRI SPOT 42W



Optical and Electrical

Power	42W
Lumen output	4200lm
Colour temperature	3000K 4000K
CRI	>80
Efficacy	100lm/W
Beam angle	25°/30°
Lifetime	30,000
IP rating	IP20

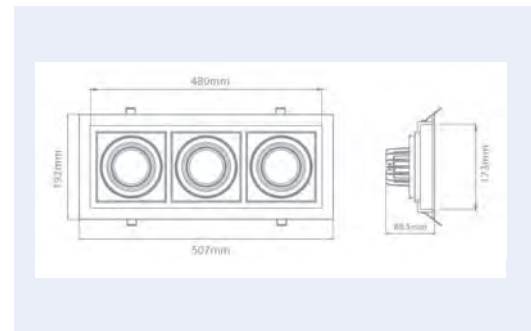
Mechanical

Operating temperature	-40°C/+45°C
Dimensions	507 x 192 x 88.5mm

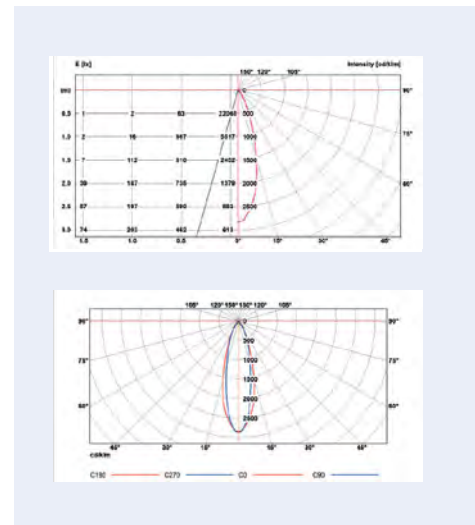
Options

Dimmable	1-10V optional
----------	----------------

Dimensions



Light Curve





SOLLATEK INTERIOR LUMINAIRES

WEATHERPROOF BATTENS



Our Batten range is available in 900mm, 1200mm, and 1500mm sizes. All Battens are IP65 rated for exterior use also. Our 48W 1500mm Batten offers a class leading 131 lumens per watt, providing 6300 lumen output, meaning a lower wattage fitting can provide greater energy savings.



DIFFUSED BATTEN 90CM 23W



Optical and Electrical

Power	23W
Lumen output	2500lm
Colour temperature	4000K
CRI	>80
Efficacy	109lm/W
Beam angle	120°
Lifetime	50,000
IP rating	IP65

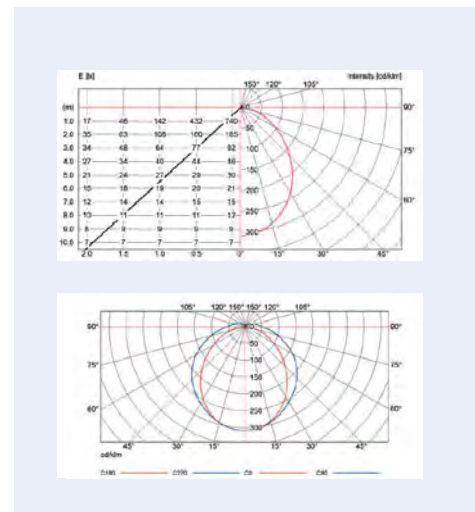
Dimensions



Mechanical

Operating temperature	-20°C/+40°C
Dimensions	928 x 92.2 x 87.8mm
Product weight	1.9 - 2.9 KG (optional)

Light Curve



Options

Emergency kit	Optional
Dimmable	1-10V optional DALI optional



DIFFUSED BATTEN 120CM 29W



Optical and Electrical

Power	29W
Lumen output	3250lm
Colour temperature	4000K
CRI	>80
Efficacy	112lm/W
Beam angle	120°
Lifetime	50,000
IP rating	IP65

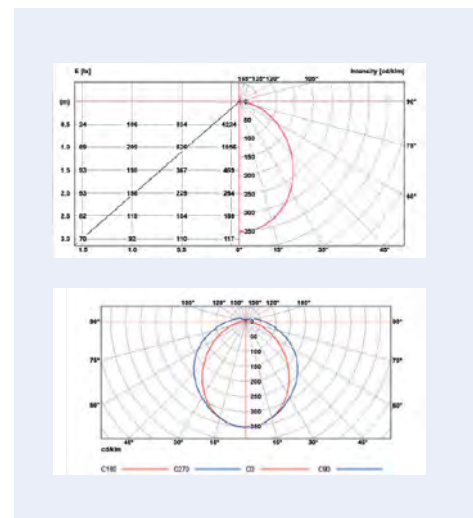
Dimensions



Mechanical

Operating temperature	-20°C/+40°C
Dimensions	1208 x 92.2 x 87.8mm
Product weight	1.9 - 3.4 KG (optional)

Light Curve



Options

Emergency kit	Optional
Dimmable	1-10V optional DALI optional



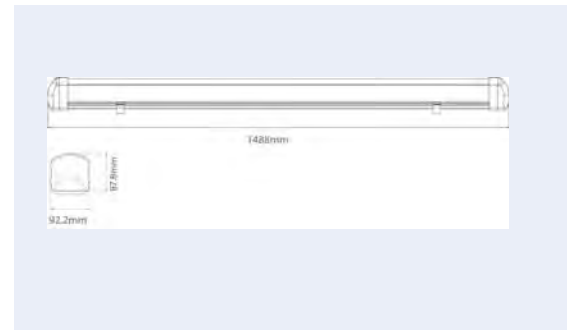
DIFFUSED BATTEN 150CM 32W



Optical and Electrical

Power	32W
Lumen output	3850lm
Colour temperature	4000K
CRI	>80
Efficacy	120lm/W
Beam angle	120°
Lifetime	50,000
IP rating	IP65

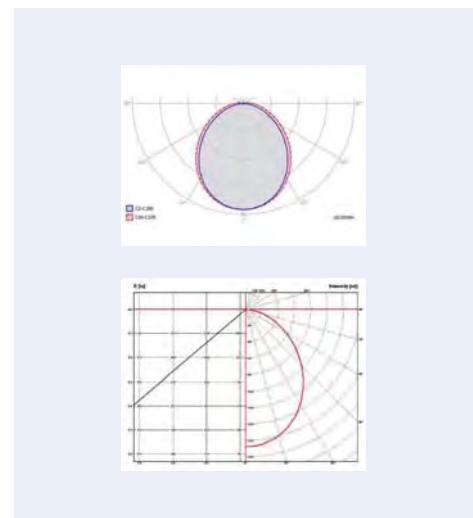
Dimensions



Mechanical

Operating temperature	-20°C/+40°C
Dimensions	1488 x 92.2 x 87.8mm
Product weight	1.9 - 3.4 KG (optional)

Light Curve



Options

Emergency kit	Optional
Dimmable	1-10V optional DALI optional



DIFFUSED BATTEN 150CM 38W



Optical and Electrical

Power	38W
Lumen output	4750lm
Colour temperature	4000K
CRI	>80
Efficacy	125lm/W
Beam angle	120°
Lifetime	50,000
IP rating	IP65

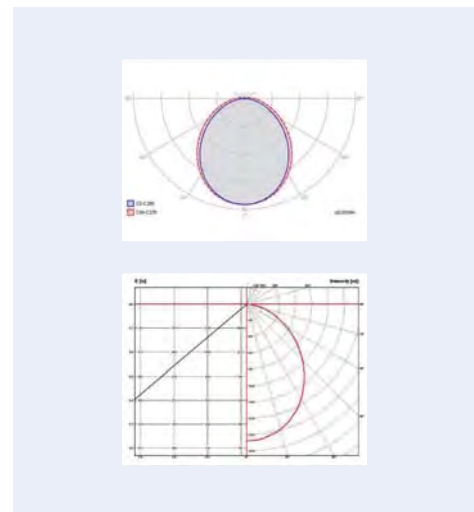
Dimensions



Mechanical

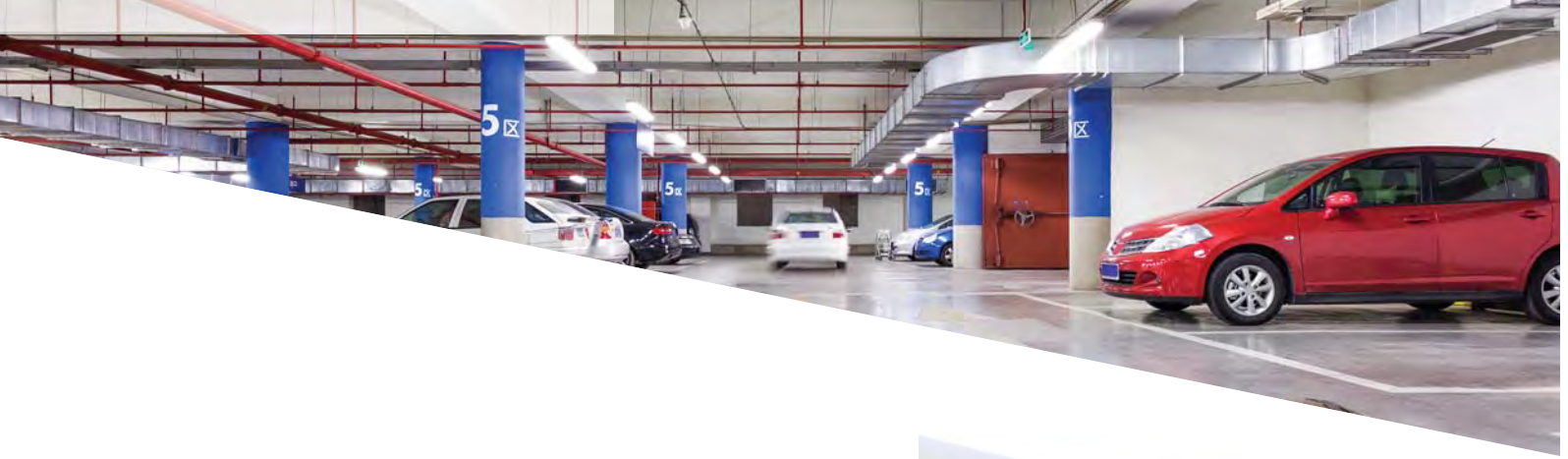
Operating temperature	-20°C/+40°C
Dimensions	1488 x 92.2 x 87.8mm
Product weight	1.9 - 2.9 KG (optional)

Light Curve



Options

Emergency kit	Optional
Dimmable	1-10V optional DALI optional



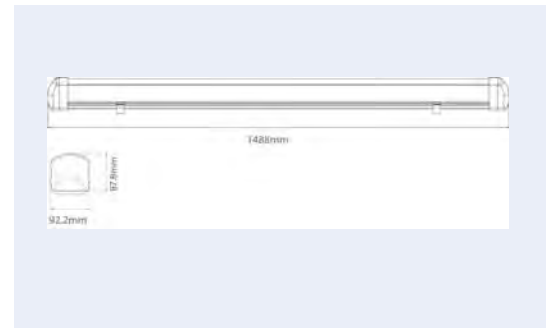
DIFFUSED BATTEN 150CM 48W



Optical and Electrical

Power	48W
Lumen output	6300lm
Colour temperature	4000K
CRI	>80
Efficacy	131lm/W
Beam angle	120°
Lifetime	50,000
IP rating	IP65

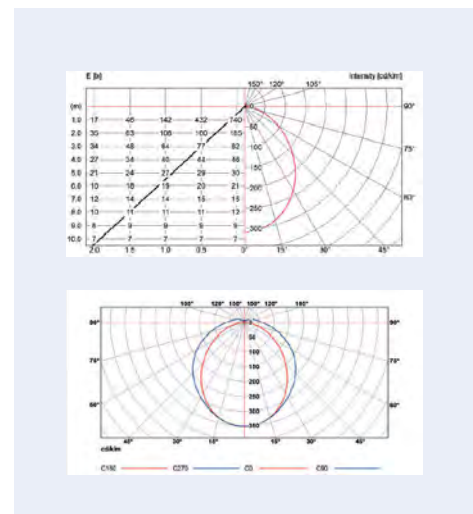
Dimensions



Mechanical

Operating temperature	-20°C/+40°C
Dimensions	1488 x 92.2 x 87.8mm
Product weight	2.8 - 3.8 KG (optional)

Light Curve



Options

Emergency kit	Optional
Dimmable	1-10V optional DALI optional



SOLLATEK INTERIOR LUMINAIRES HIGH BAY / LOW BAY



We offer an extensive range of High Bay / Low Bay luminaires. Part of our range provides adjustable light patterns and high efficacy. Our Conical range is available in a large range of power outputs and provides a cost effective alternative.



HIGH BAY HIGH EFFICIENCY 80W



Optical and Electrical

Power	80W
Lumen output	9600lm
Colour temperature	3000K 4000K
CRI	>70
Efficacy	120lm/W
Beam angle	110°
Lifetime	50,000
IP rating	IP65

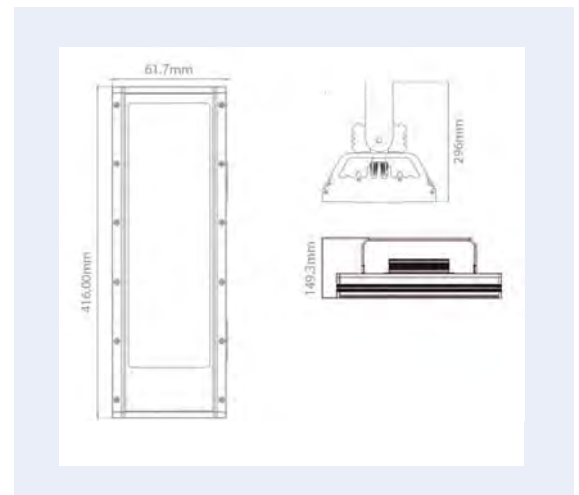
Mechanical

Operating temperature	-0°C/+40°C
Dimensions	416 x 61.7 x 296mm
Product weight	3.2kg

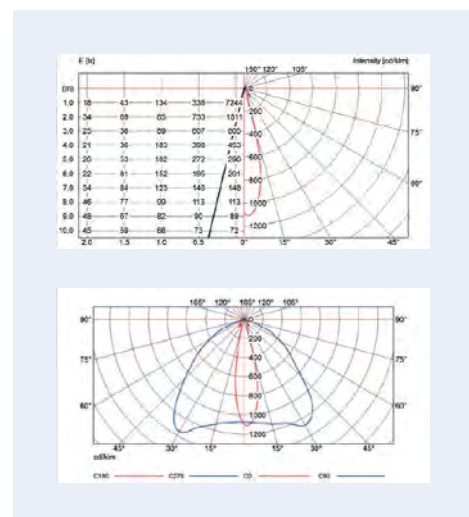
Options

Emergency kit	Optional
Dimmable	1-10V optional DALI optional

Dimensions



Light Curve





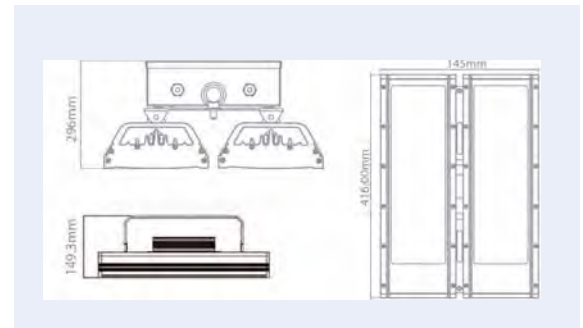
HIGH BAY HIGH EFFICACY 98W



Optical and Electrical

Power	98W
Lumen output	13000lm
Colour temperature	4000K 6500K
CRI	>70
Efficacy	135lm/w
Beam angle	112°
Lifetime	50,000
IP rating	IP65

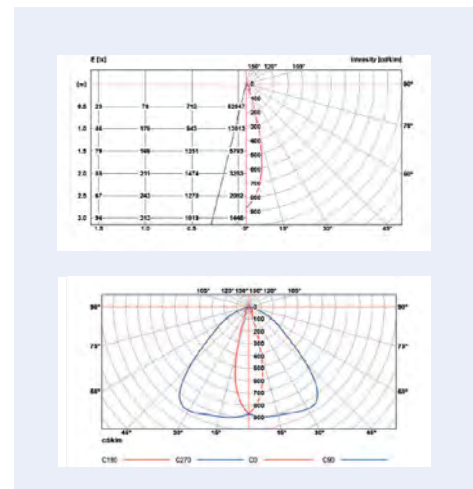
Dimensions



Mechanical

Operating temperature	-0°C/+40°C
Dimensions	416 x 145 x 149.3mm
Product weight	9kg

Light Curve



Options

Emergency kit	Optional
Dimmable	1-10V optional DALI optional



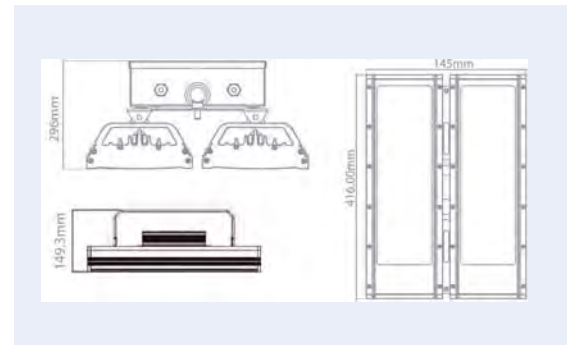
HIGH BAY HIGH EFFICACY 130W



Optical and Electrical

Power	130W
Lumen output	18750lm
Colour temperature	4000K 6500K
CRI	>70
Efficacy	145lm/w
Beam angle	112°
Lifetime	50,000
IP rating	IP65

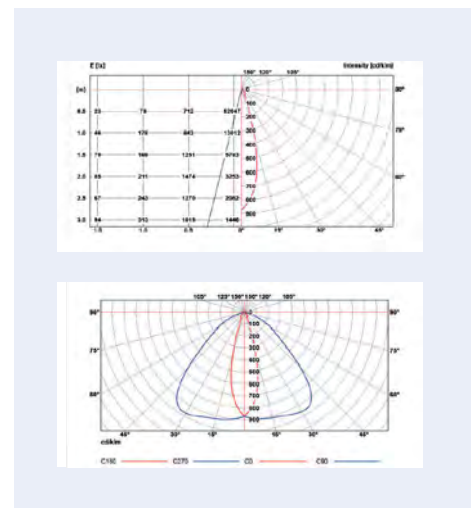
Dimensions



Mechanical

Operating temperature	-0°C/+40°C
Dimensions	416 x 145 x 296mm
Product weight	9kg

Light Curve



Options

Emergency kit	Optional
Dimmable	1-10V optional DALI optional



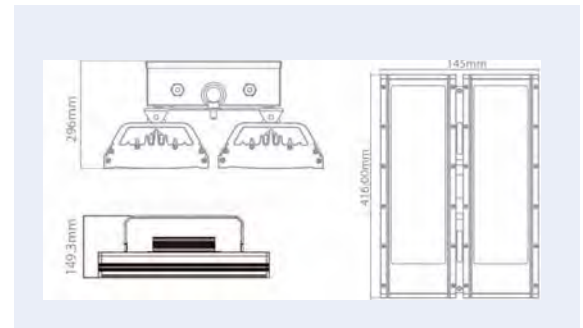
HIGH BAY HIGH EFFICIENCY 120W



Optical and Electrical

Power	120W
Lumen output	12500lm
Colour temperature	4000K 6500K
CRI	>70
Efficacy	105lm/W
Beam angle	112°
Lifetime	50,000
IP rating	IP65

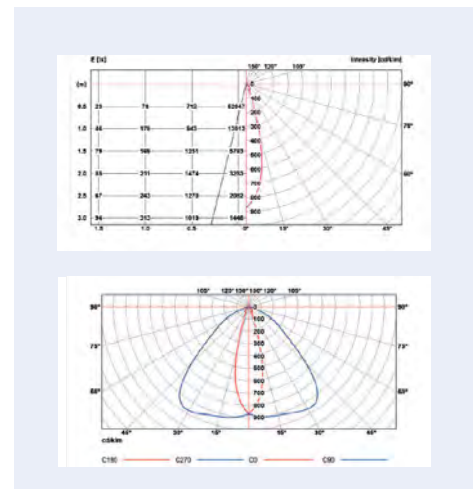
Dimensions



Mechanical

Operating temperature	-0°C/+40°C
Dimensions	416 x 145 x 296mm
Product weight	9kg

Light Curve



Options

Emergency kit	Optional
Dimmable	1-10V optional DALI optional



HIGH BAY HIGH EFFICIENCY 150W



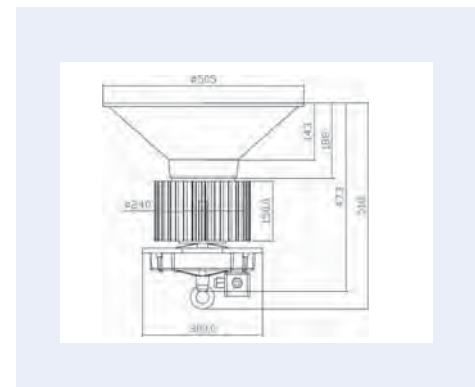
Optical and Electrical

Power	150W		
Lumen output	18100lm		
Colour temperature	3000K		
CRI	>80		
Efficacy	120lm/W		
Beam angle	45°	90°	120°
Lifetime	50,000		
IP rating	IP65		

Mechanical

Operating temperature	-25°C/+40°C
Dimensions	518 x 505mm

Dimensions



Light Curve





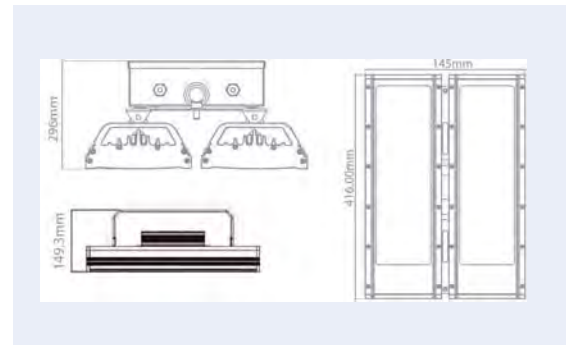
HIGH BAY HIGH EFFICIENCY 160W



Optical and Electrical

Power	160W
Lumen output	18400lm
Colour temperature	4000K 6500K
CRI	>70
Efficacy	115lm/w
Beam angle	112°
Lifetime	50,000
IP rating	IP65

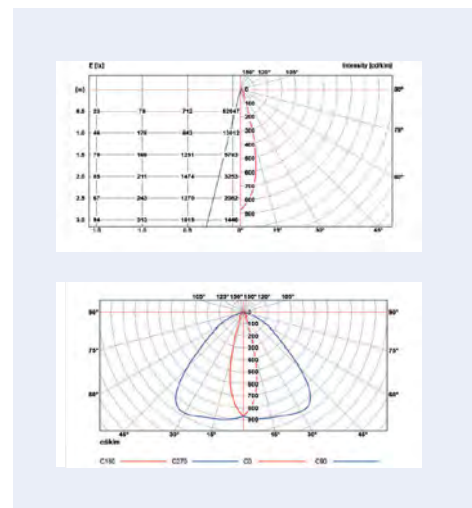
Dimensions



Mechanical

Operating temperature	-0°C/+40°C
Dimensions	416 x 145 x 296mm
Product weight	9kg

Light Curve



Options

Emergency kit	Optional
Dimmable	1-10V optional DALI optional



SOLLATEK EXTERIOR LUMINAIRES

FLOOD LIGHTS



Our extensive range of IP65 rated Flood lights delivers power outputs from 20w to 200w. Ideal for lighting exteriors of buildings, courtyards, or to highlight individual areas.



LED FLOODLIGHT 20W



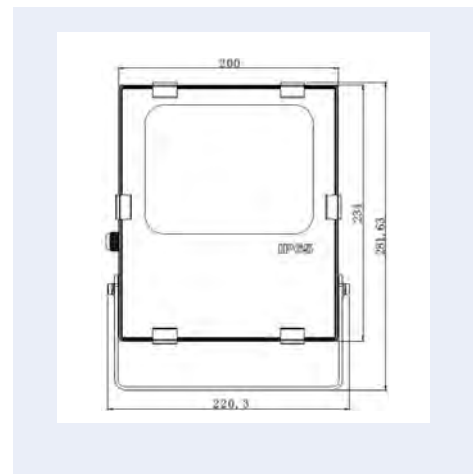
Optical and Electrical

Power	20W
Lumen output	1655lm
Colour temperature	4000K
CRI	>80
Efficacy	83lm/W
Beam angle	105°
Life time	50,000
IP rating	IP65

Mechanical

Operating temperature	-25°C/+55°C
Dimensions	281.63 x 220.3 x 200mm
Product weight	3.6kg

Dimensions





LED FLOODLIGHT 30W



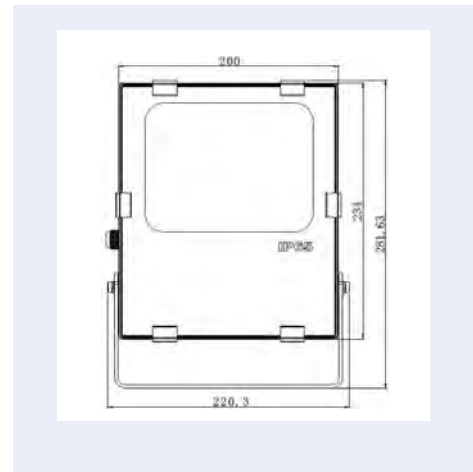
Optical and Electrical

Power	30W
Lumen output	2365lm
Colour temperature	4000K
CRI	>80
Efficacy	79lm/W
Beam angle	105°
Life time	50,000
IP rating	IP65

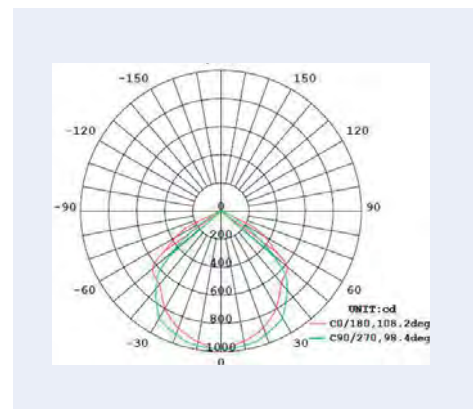
Mechanical

Operating temperature	-25°C/+55°C
Dimensions	281.63 X 220.3 x 200mm
Product weight	3.6kg

Dimensions



Light Curve





LED FLOODLIGHT 50W



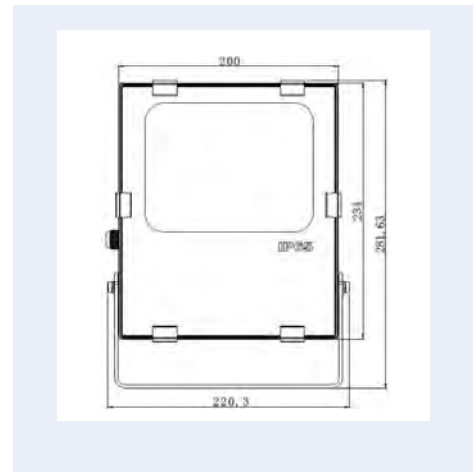
Optical and Electrical

Power	50W
Lumen output	4047lm
Colour temperature	4000K
CRI	>80
Efficacy	81lm/W
Beam angle	105°
Life time	50,000
IP rating	IP65

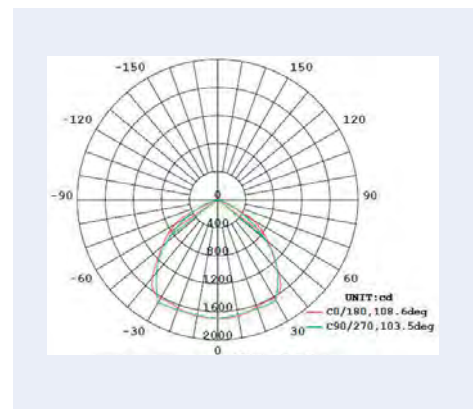
Mechanical

Operating temperature	-25°C/+55°C
Dimensions	281.63 X 220.3 x 200mm
Product weight	3.63.6kg

Dimensions



Light Curve





LED FLOODLIGHT 70W



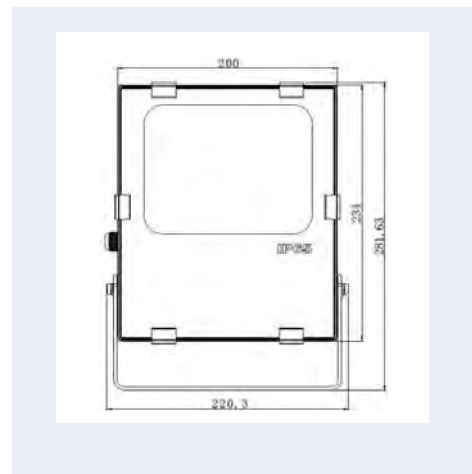
Optical and Electrical

Power	70W
Lumen output	5787lm
Colour temperature	4000K
CRI	>80
Efficacy	83lm/W
Beam angle	105°
Life time	50,000
IP rating	IP65

Mechanical

Operating temperature	-25°C/+55°C
Dimensions	281.63 x 220.3 x 200mm
Product weight	3.6kg

Dimensions





LED FLOODLIGHT 100W



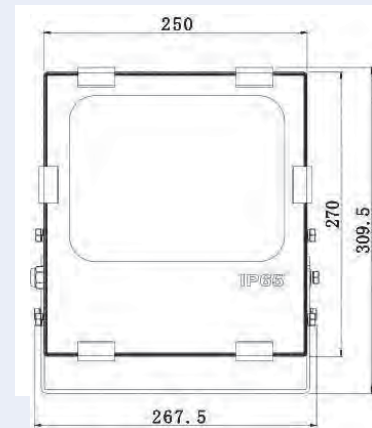
Optical and Electrical

Power	100W
Lumen output	8268lm
Colour temperature	4000K
CRI	>80
Efficacy	83 lm/W
Beam angle	105°
Life time	50,000
IP rating	IP65

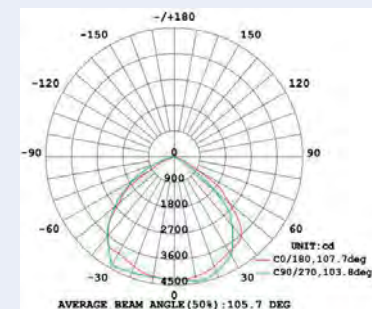
Mechanical

Operating temperature	-25°C/+55°C
Dimensions	309.5 x 267.5 x 250mm
Product weight	3.6kg

Dimensions



Light Curve





LED FLOODLIGHT

140W



Optical and Electrical

Power	140W
Lumen output	11575lm
Colour temperature	4000K
CRI	>80
Efficacy	83 lm/W
Beam angle	105°
Life time	50,000
IP rating	IP65

Mechanical

Operating temperature	-25°C/+55°C
Dimensions	364 X 288 x 186mm
Product weight	3.6kg



LED FLOODLIGHT 200W

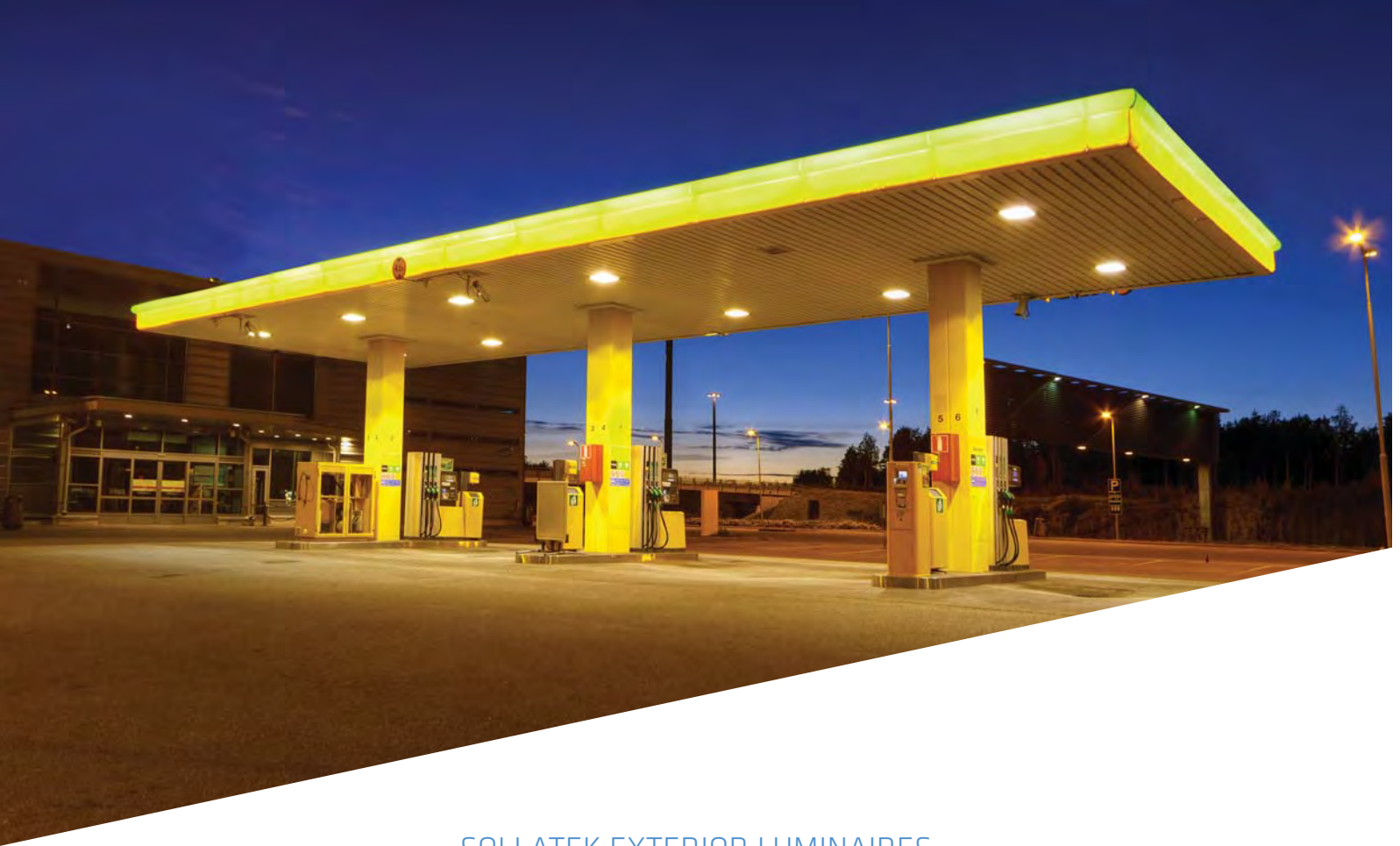


Optical and Electrical

Power	200W
Lumen output	16530lm
Colour temperature	4000K
CRI	>80
Efficacy	83 lm/W
Beam angle	105°
Life time	50,000
IP rating	IP65

Mechanical

Operating temperature	-25°C/+55°C
Dimensions	464 x 344 x 196mm



SOLLATEK EXTERIOR LUMINAIRES

CANOPY LIGHTS



These specialist luminaires are suitable for petrol stations. They are ATEX approved and IP65 rated. Available in power outputs from 35W to 108W.



CANOPY LIGHTS

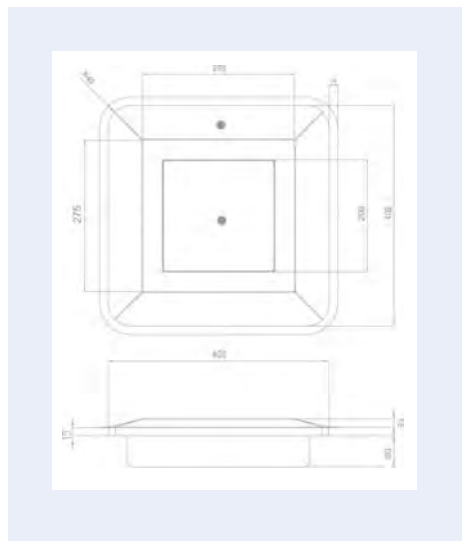
35W



Optical and Electrical

Power	35W
Lumen output	4000lm
Colour temperature	4000K 5700K
CRI	>70
Efficacy	114lm/W
Beam angle	Symmetric Asymmetric
Life time	50,000
IP rating	IP65

Dimensions



Mechanical

Operating temperature	-30°C/+40°C
Dimensions	400 x 400 x 75mm

Options

Emergency kit	-
Dimmable	Optional



CANOPY LIGHTS

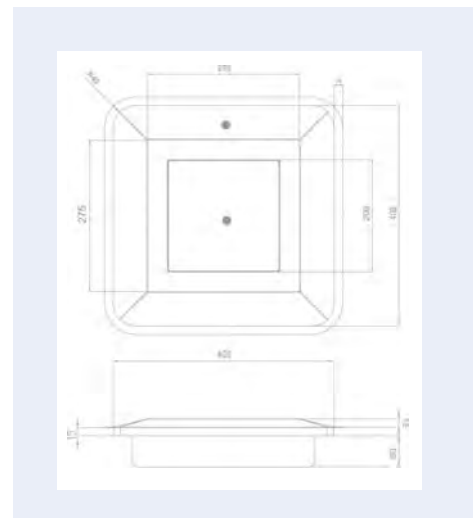
68W



Optical and Electrical

Power	68W
Lumen output	8000lm
Colour temperature	4000K 5700K
CRI	>70
Efficacy	117lm/W
Beam angle	Symmetric Asymmetric
Life time	50,000
IP rating	IP65

Dimensions



Mechanical

Operating temperature	-30°C/+40°C
Dimensions	400 x 400 x 75mm

Options

Emergency kit	-
Dimmable	Optional



CANOPY LIGHTS

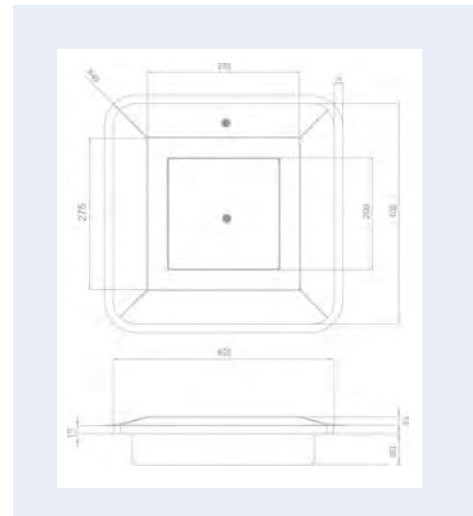
108W



Optical and Electrical

Power	108W
Lumen output	13500lm
Colour temperature	4000K 5700K
CRI	>70
Efficacy	125lm/W
Beam angle	Symmetric Asymmetric
Life time	50,000
IP rating	IP65

Dimensions

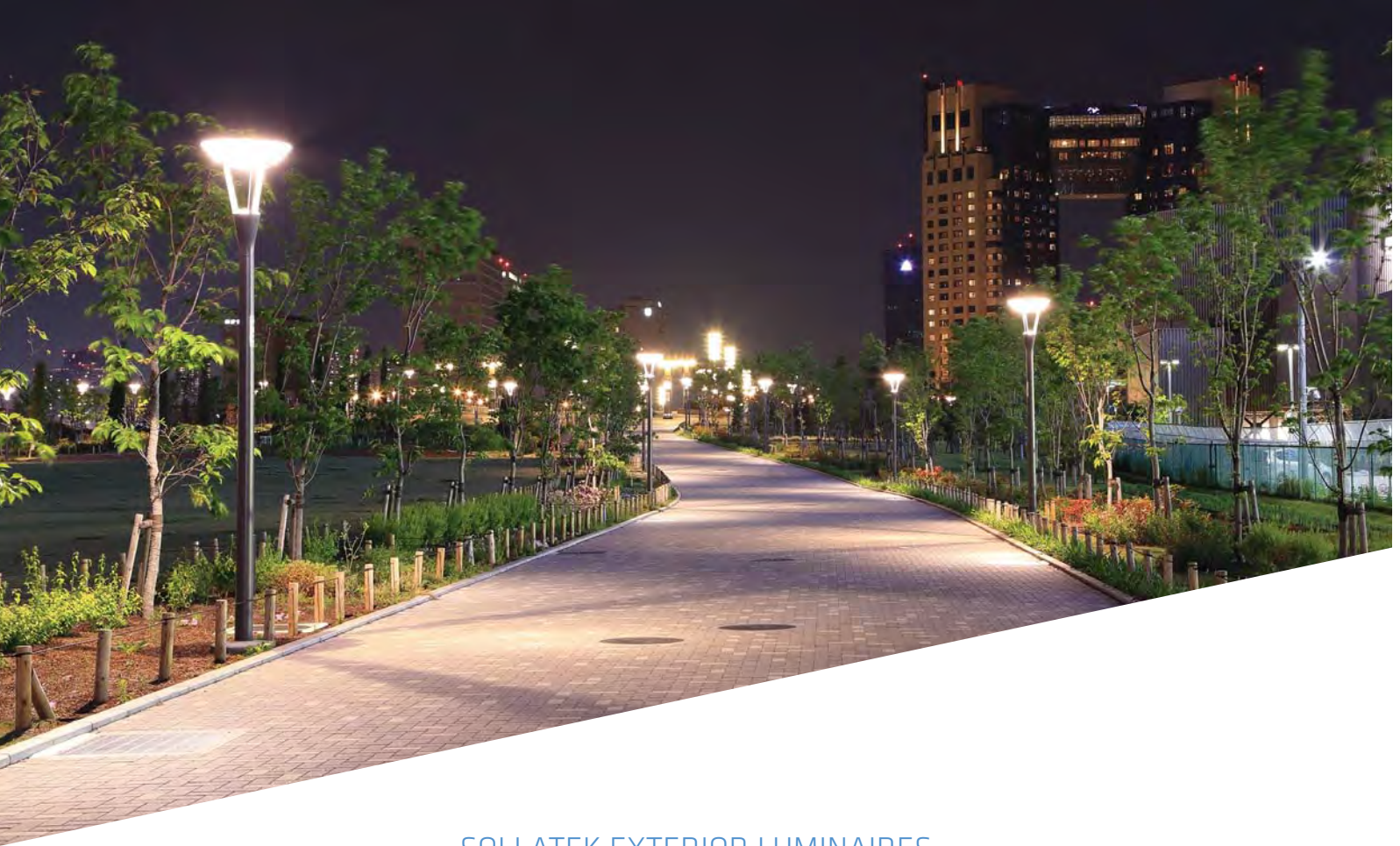


Mechanical

Operating temperature	-30°C/+40°C
Dimensions	400 x 400 x 75mm

Options

Emergency kit	-
Dimmable	Optional



SOLLATEK EXTERIOR LUMINAIRES

LANDSCAPE LIGHTS



These luminaires are designed for exterior spaces, parks, and walkways. They are IP66 rated and come in two ranges. The Park light series is available in power outputs from 17W to 41W and the Bollard light is available in 7.4wW only.



PARK LIGHT

17W



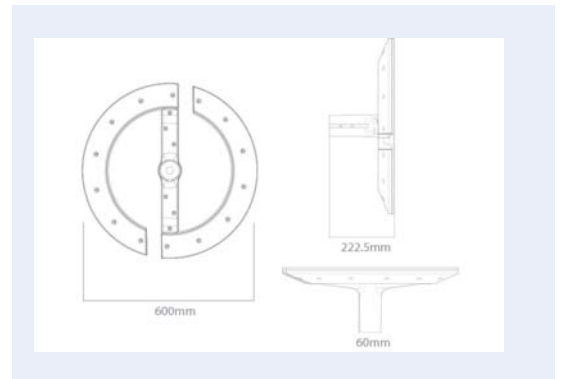
Optical and Electrical

Power	17W		
Lumen output	1600lm		
Colour temperature	3000K	4000K	6500K
CRI	>80		
Efficacy	94lm/W		
Beam angle	Asymmetric		
Lifetime	50,000		
IP rating	IP66		

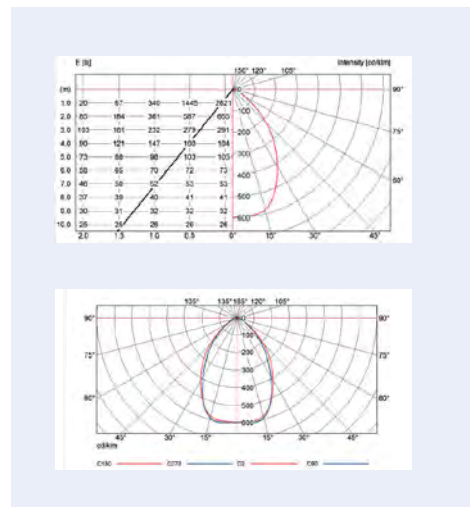
Mechanical

Operating temperature	-30°C/+50°C
Dimensions	600 x 222.5mm
Product weight	6.5kg

Dimensions



Light Curve





PARK LIGHT 29W



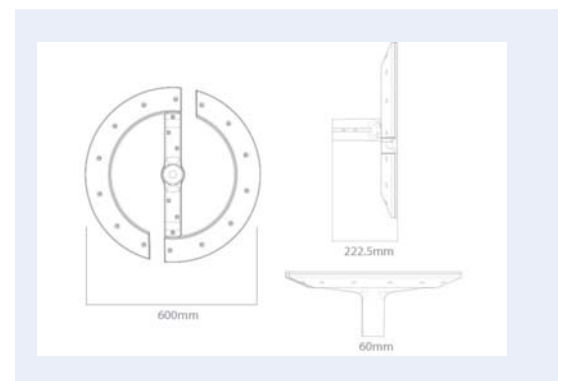
Optical and Electrical

Power	29W		
Lumen output	2600lm		
Colour temperature	3000K	4000K	6500K
CRI	>80		
Efficacy	90lm/W		
Beam angle	Asymmetric		
Lifetime	50,000		
IP rating	IP66		

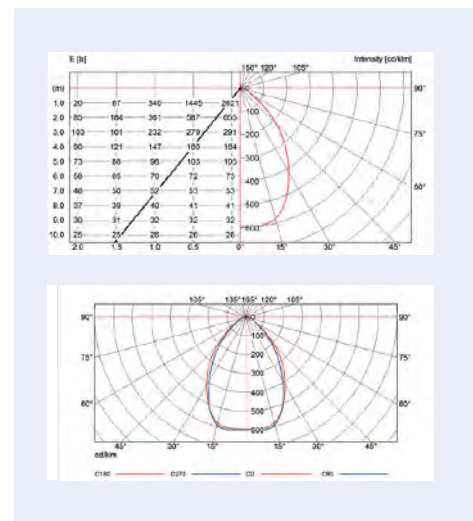
Mechanical

Operating temperature	-30°C/+50°C
Dimensions	600 x 222.5mm
Product weight	6.5kg

Dimensions



Light Curve





PARK LIGHT

41W



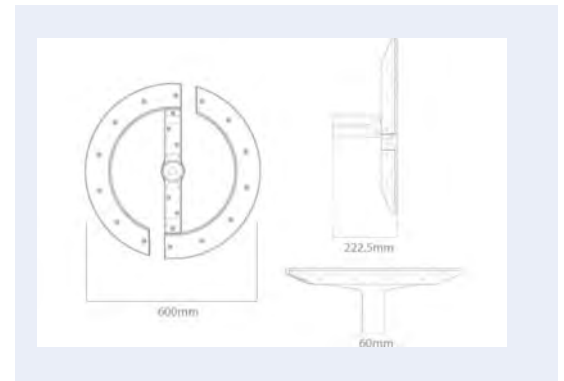
Optical and Electrical

Power	41W		
Lumen output	3600lm		
Colour temperature	3000K	4000K	6500K
CRI	>80		
Efficacy	87lm/W		
Beam angle	Asymmetric		
Lifetime	50,000		
IP rating	IP66		

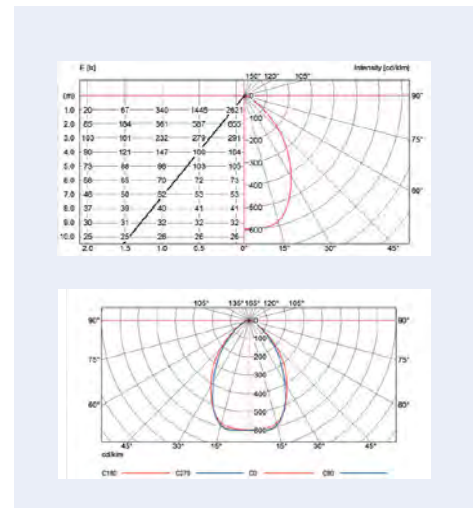
Mechanical

Operating temperature	-30°C/+50°C
Dimensions	600 x 222.5mm
Product weight	6.5kg

Dimensions



Light Curve





BOLLARD LIGHT

7.5W



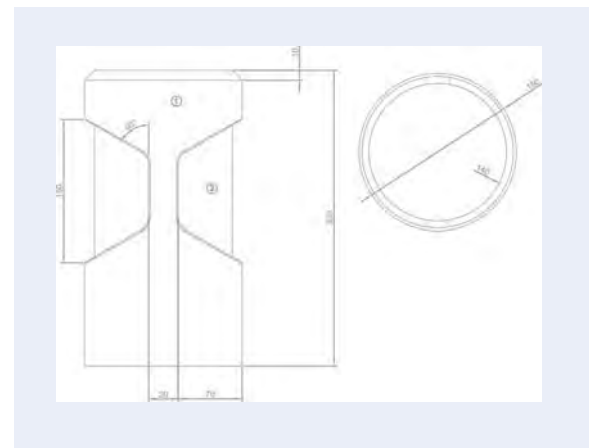
Optical and Electrical

Power	7.5W
Lumen output	400lm
Colour temperature	3000K 4000K
CRI	>80
Efficacy	53lm/W
Beam angle	N/A
Lifetime	50,000
IP rating	IP66

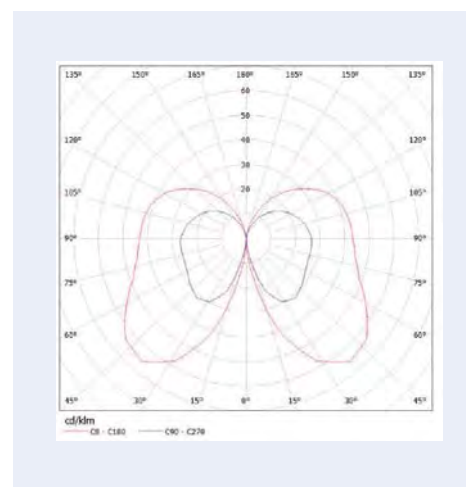
Mechanical

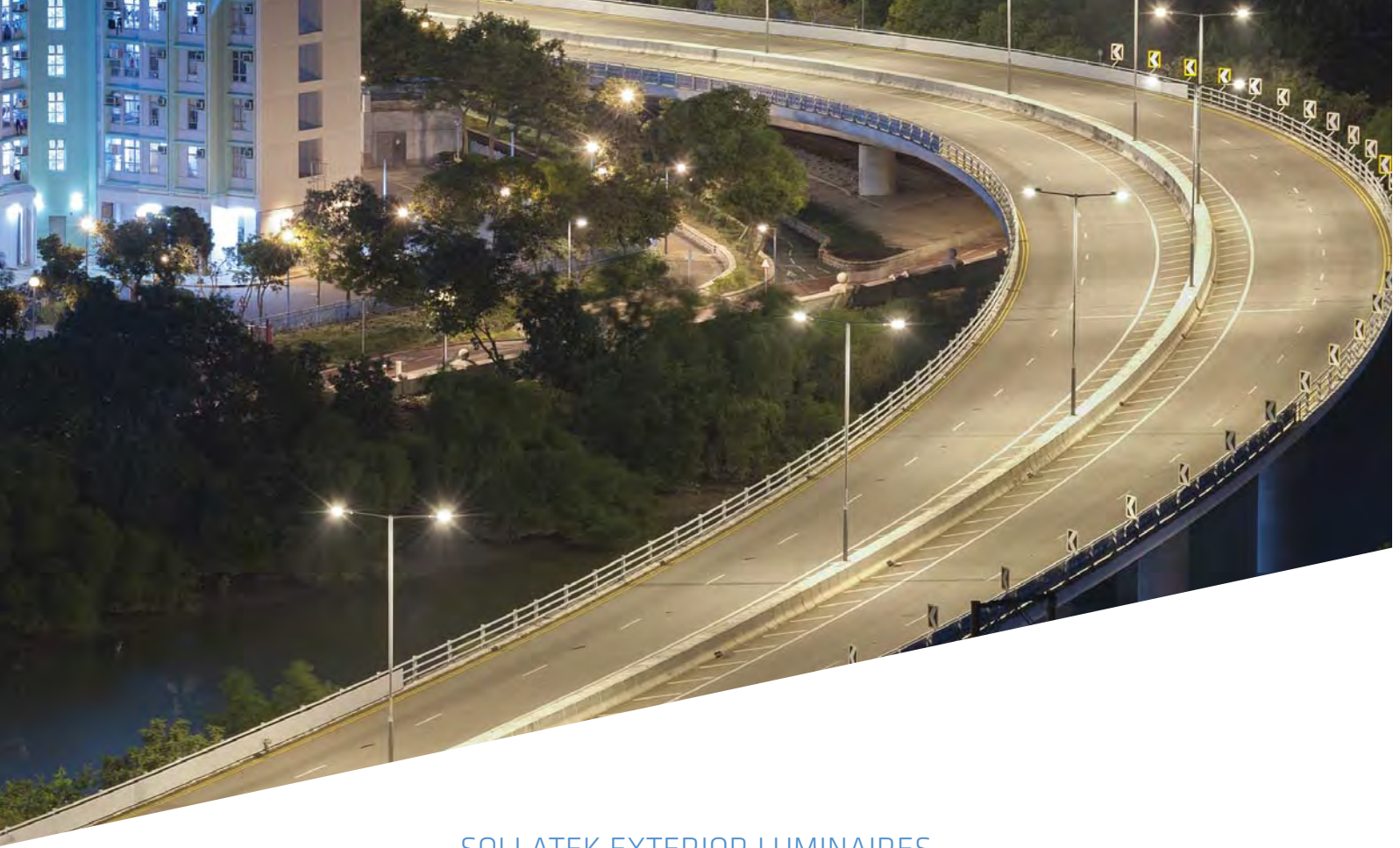
Operating temperature	-20°C/+50°C
Dimensions	160 x 300mm

Dimensions



Light Curve





SOLLATEK EXTERIOR LUMINAIRES

STREET LIGHTS



Where it all started, our Street lighting range has been in production for 10 years. The latest version starts with a power output of 12.5W and goes right up to 165W, offering 19000 lumens.



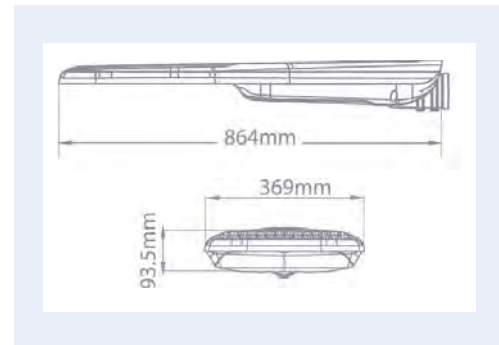
STREET LIGHT 165W



Optical and Electrical

Power	165W
Lumen output	19000lm
Colour temperature	4000K
CRI	>70
Efficacy	115lm/W
Beam angle	Asymmetric
Lifetime	50,000
IP rating	IP66

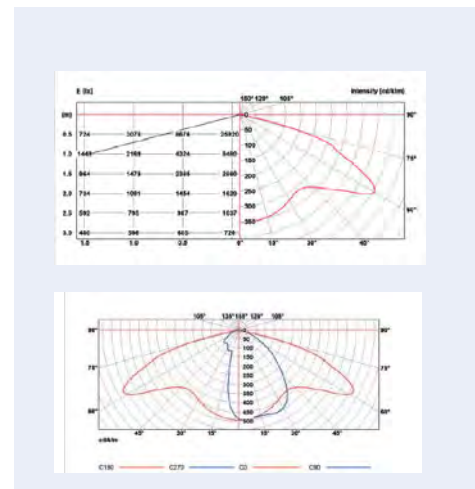
Dimensions



Mechanical

Operating temperature	-40°C/+50°C
Dimensions	864 x 369 x 93.5mm
Product weight	11kg

Light Curve



Options

Emergency kit	-
Dimmable	1-10V optional PLC optional



STREET LIGHT

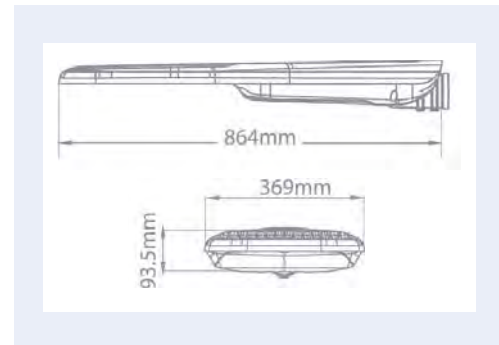
147W



Optical and Electrical

Power	147W
Lumen output	17000lm
Colour temperature	4000K
CRI	>70
Efficacy	115lm/W
Beam angle	Asymmetric
Lifetime	50,000
IP rating	IP66

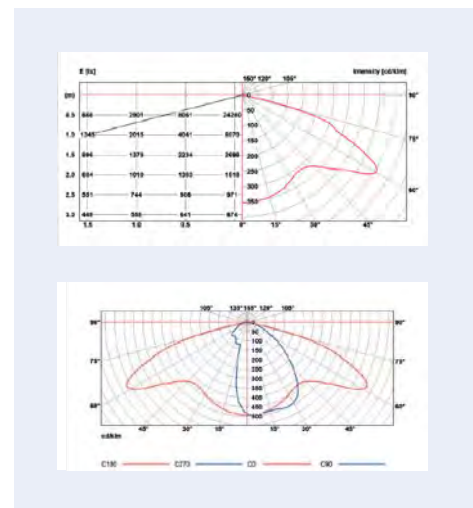
Dimensions



Mechanical

Operating temperature	-40°C/+50°C
Dimensions	864 x 369 x 93.5mm
Product weight	11kg

Light Curve



Options

Emergency kit	-
Dimmable	1-10V optional PLC optional



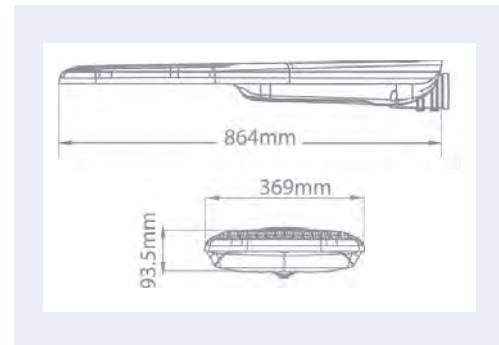
STREET LIGHT 128W



Optical and Electrical

Power	128W
Lumen output	14800lm
Colour temperature	4000K
CRI	>70
Efficacy	115lm/W
Beam angle	-
Lifetime	50,000
IP rating	IP66

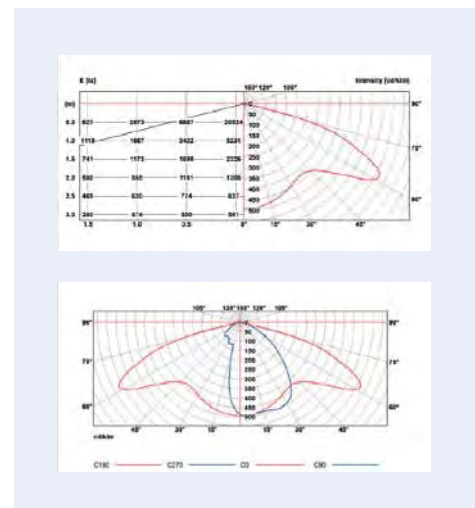
Dimensions



Mechanical

Operating temperature	-40°C/+50°C
Dimensions	864 x 369 x 93.5mm
Product weight	11kg

Light Curve



Options

Emergency kit	-
Dimmable	1-10V optional PLC optional



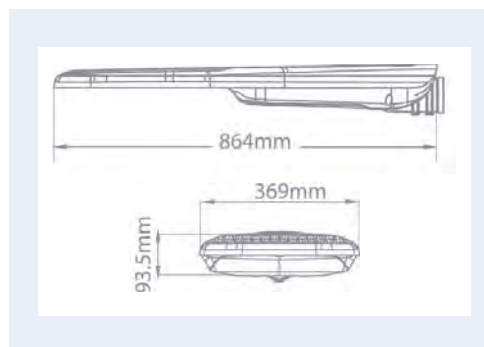
STREET LIGHT 108W



Optical and Electrical

Power	108W
Lumen output	12500lm
Colour temperature	4000K
CRI	>70
Efficacy	115lm/W
Beam angle	Asymmetric
Lifetime	50,000
IP rating	IP66

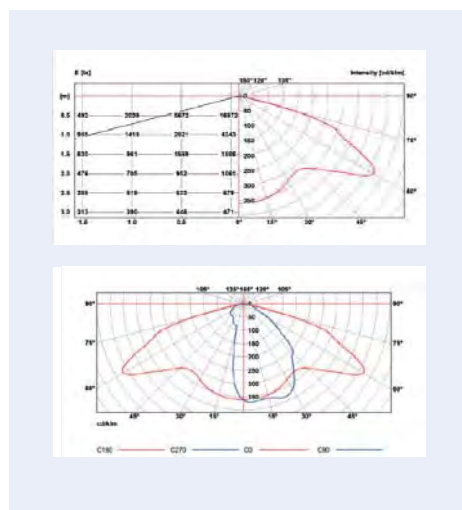
Dimensions



Mechanical

Operating temperature	-40°C/+50°C
Dimensions	864 x 369 x 93.5mm
Product weight	10.3kg

Light Curve



Options

Emergency kit	-
Dimmable	1-10V optional PLC optional



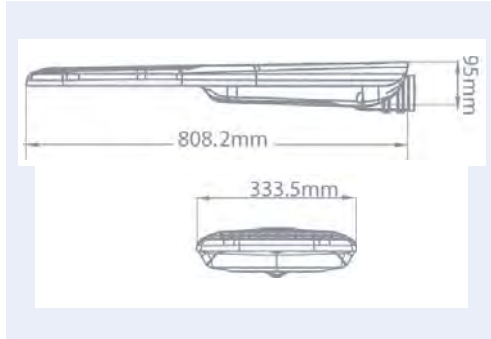
STREET LIGHT 90W



Optical and Electrical

Power	90W
Lumen output	11400lm
Colour temperature	4000K
CRI	>70
Efficacy	115lm/W
Beam angle	Y:65°/D:145°
Lifetime	50,000
IP rating	IP66

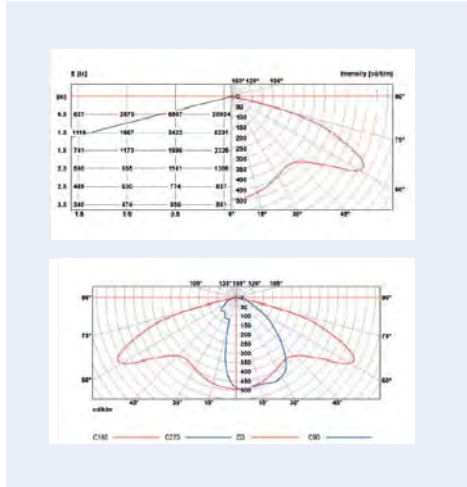
Dimensions



Mechanical

Operating temperature	-40°C/+50°C
Dimensions	808.2 x 333.5 x 95mm
Product weight	10.3kg

Light Curve



Options

Emergency kit	Optional
Dimmable	1-10V optional PLC optional



STREET LIGHT

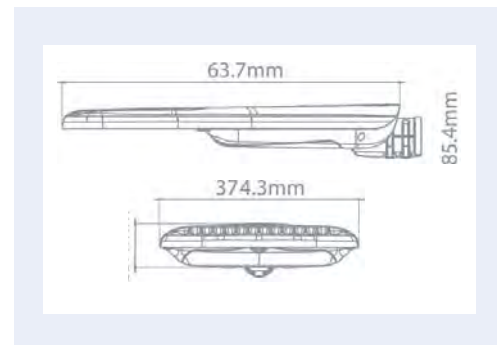
68W



Optical and Electrical

Power	68W
Lumen output	7800lm
Colour temperature	4000K
CRI	>70
Efficacy	115lm/W
Beam angle	-
Lifetime	50,000
IP rating	IP66

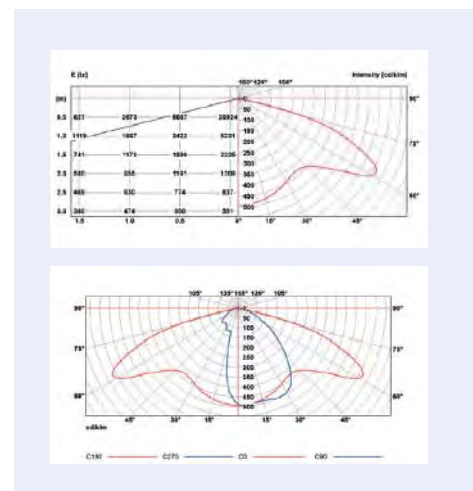
Dimensions



Mechanical

Operating temperature	-40°C/+50°C
Dimensions	63.7 x 374.3 x 85.4mm
Product weight	9.5kg

Light Curve



Options

Emergency kit	-
Dimmable	1-10V optional PLC optional



STREET LIGHT

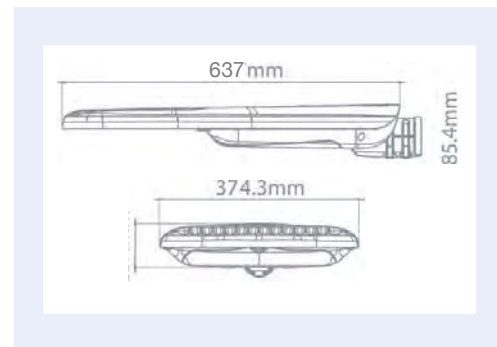
48W



Optical and Electrical

Power	48W
Lumen output	6850lm
Colour temperature	4000K
CRI	>70
Efficacy	143lm/W
Beam angle	-
Lifetime	50,000
IP rating	IP66

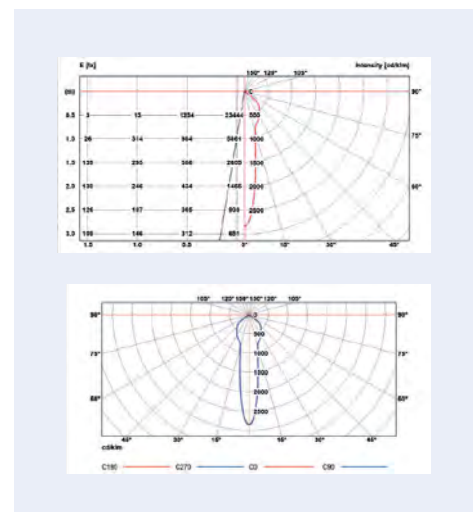
Dimensions



Mechanical

Operating temperature	-40°C/+50°C
Dimensions	637 x 374.3 x 85.4mm
Product weight	9.5kg

Light Curve



Options

Emergency kit	-
Dimmable	1-10V optional PLC optional



STREET LIGHT

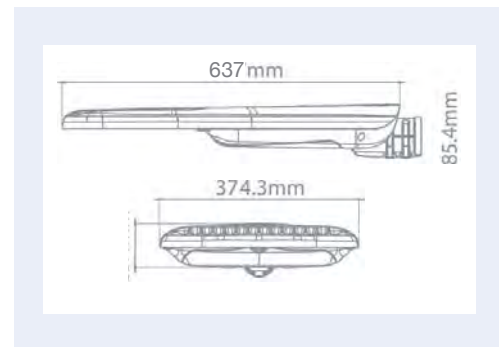
35W



Optical and Electrical

Power	35W
Lumen output	4000lm
Colour temperature	4000K
CRI	>70
Efficacy	114lm/W
Beam angle	Asymmetric
Lifetime	50,000
IP rating	IP66

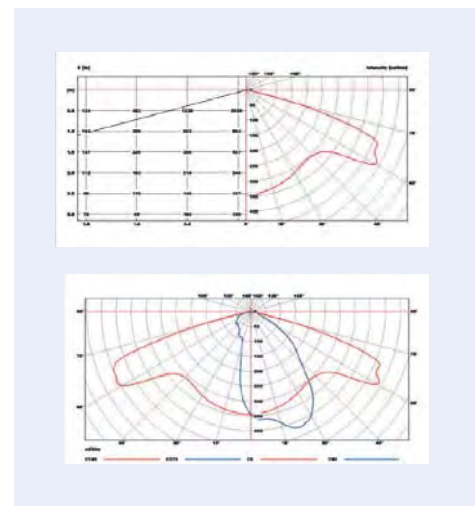
Dimensions



Mechanical

Operating temperature	-40°C/+50°C
Dimensions	637 x 374.3 x 85.4mm
Product weight	9.5kg

Light Curve



Options

Emergency kit	-
Dimmable	1-10V optional PLC optional



STREET LIGHT 24W



Optical and Electrical

Power	24W
Lumen output	2800lm
Colour temperature	4000K
CRI	>70
Efficacy	115lm/W
Beam angle	Asymmetric
Lifetime	50,000
IP rating	IP66

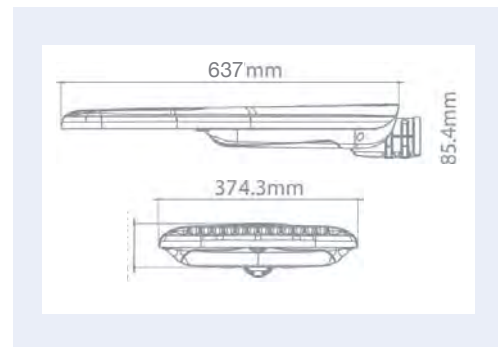
Mechanical

Operating temperature	-40°C/+50°C
Dimensions	637 x 374.3 x 85.4mm
Product weight	9.5kg

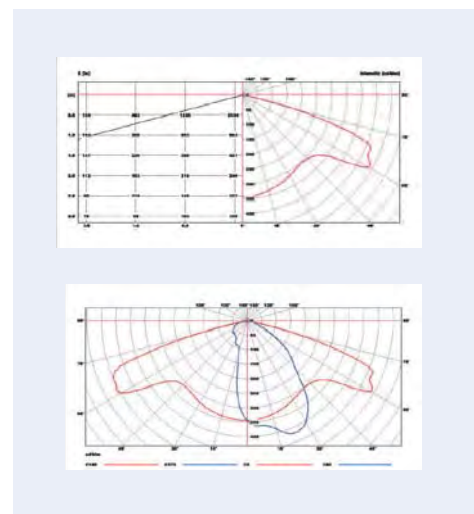
Options

Emergency kit	-
Dimmable	1-10V optional PLC optional

Dimensions



Light Curve





STREET LIGHT

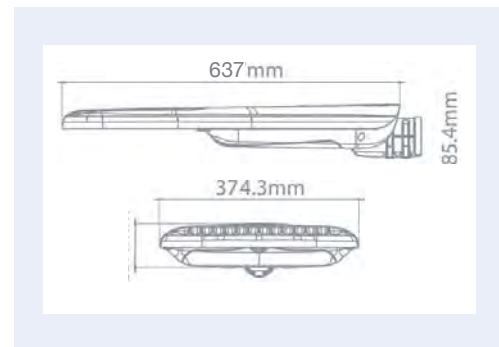
12.5W



Optical and Electrical

Power	12.5W
Lumen output	1800lm
Colour temperature	4000K
CRI	>70
Efficacy	144lm/W
Beam angle	Asymmetric
Lifetime	50,000
IP rating	IP66

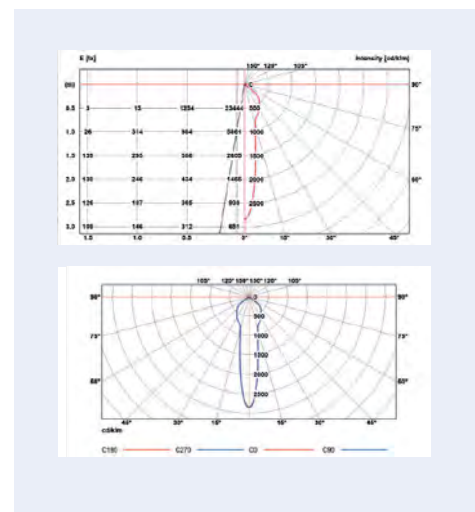
Dimensions



Mechanical

Operating temperature	-40°C/+50°C
Dimensions	637 x 374.3 x 85.4mm
Product weight	9.5kg

Light Curve



Options

Emergency kit	-
Dimmable	1-10V optional PLC optional



STREET LIGHT

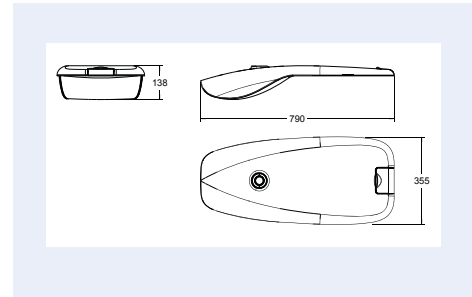
128W



Optical and Electrical

Power	128W
Lumen output	14800lm
Colour temperature	4000K
CRI	>70
Efficacy	115lm/W
Beam angle	-
Lifetime	50,000
IP rating	IP66

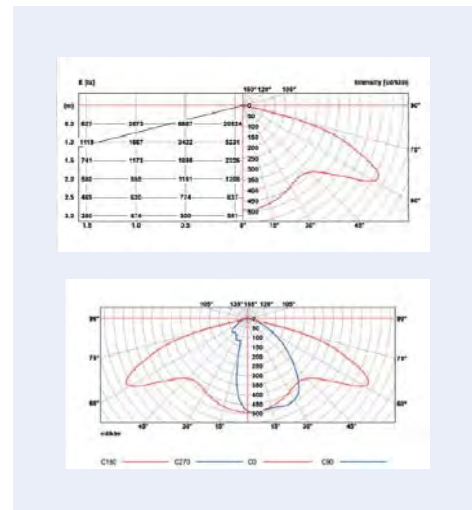
Dimensions



Mechanical

Operating temperature	-40°C/+50°C
Dimensions	790 x 355 x 138mm
Product weight	10kg

Light Curve



Options

Emergency kit	-
Dimmable	1-10V optional PLC optional



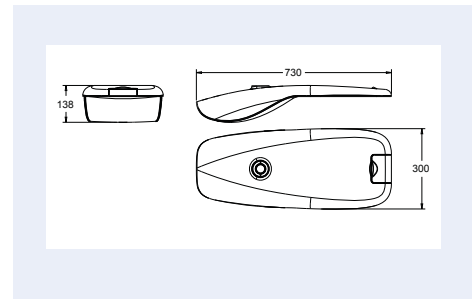
STREET LIGHT 90W



Optical and Electrical

Power	90W
Lumen output	11400lm
Colour temperature	4000K
CRI	>70
Efficacy	115lm/W
Beam angle	Y:65°/ D:145°
Lifetime	50,000
IP rating	IP66

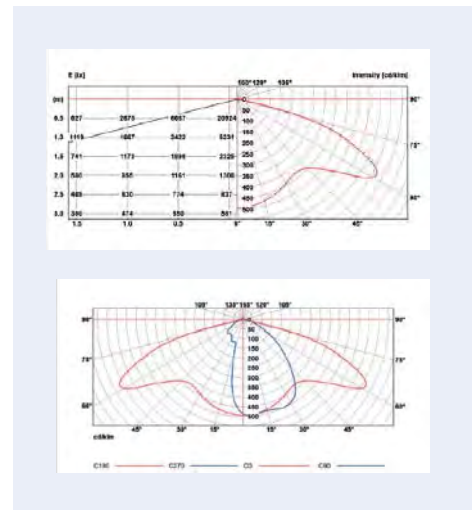
Dimensions



Mechanical

Operating temperature	-40°C/+50°C
Dimensions	730 x 300 x 138mm
Product weight	8.5kg

Light Curve



Options

Emergency kit	Optional
Dimmable	1-10V optional PLC optional



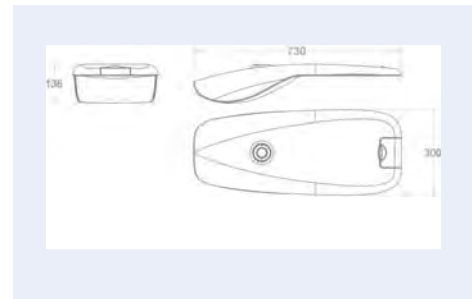
STREET LIGHT 68W



Optical and Electrical

Power	68W
Lumen output	7800lm
Colour temperature	4000K
CRI	>70
Efficacy	115lm/W
Beam angle	-
Lifetime	50,000
IP rating	IP66

Dimensions



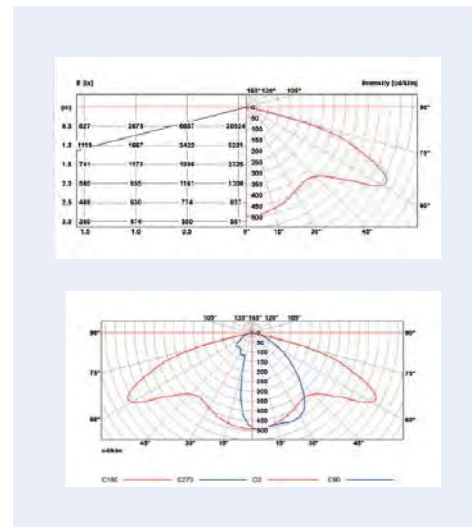
Mechanical

Operating temperature	-40°C/+50°C
Dimensions	730 x 300 x 138mm
Product weight	8.5kg

Options

Emergency kit	-
Dimmable	1-10V optional PLC optional

Light Curve





STREET LIGHT

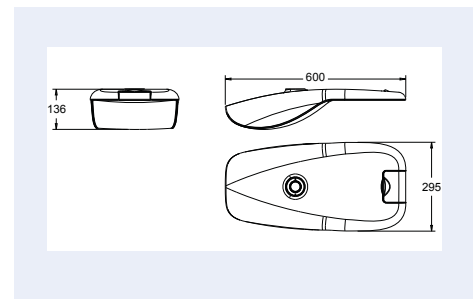
48W



Optical and Electrical

Power	48W
Lumen output	6900lm
Colour temperature	4000K
CRI	>70
Efficacy	144lm/W
Beam angle	-
Lifetime	50,000
IP rating	IP66

Dimensions



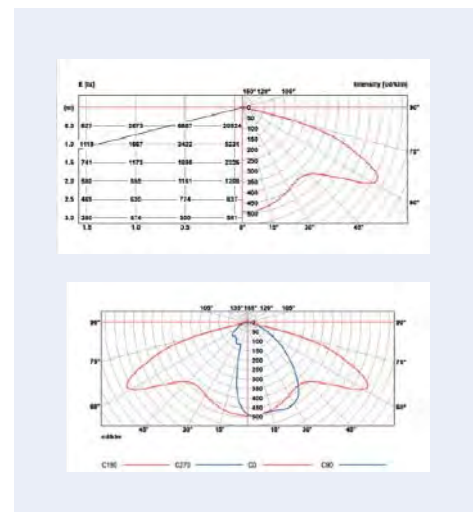
Mechanical

Operating temperature	-40°C/+50°C
Dimensions	600 x 295 x 136mm
Product weight	8.5kg

Options

Emergency kit	-
Dimmable	1-10V optional PLC optional

Light Curve



STREET LIGHT

24W



Optical and Electrical

Power	24W
Lumen output	2800lm
Colour temperature	4000K
CRI	>70
Efficacy	115lm/w
Beam angle	Asymmetric
Lifetime	50,000
IP rating	IP66

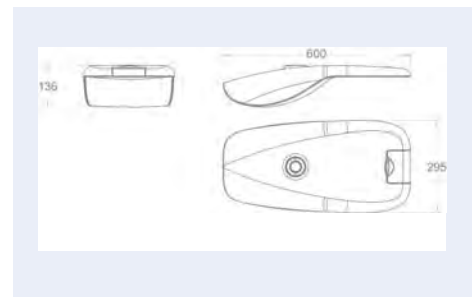
Mechanical

Operating temperature	-40°C/+50°C
Dimensions	600 x 295 x 136mm
Product weight	6.5kg

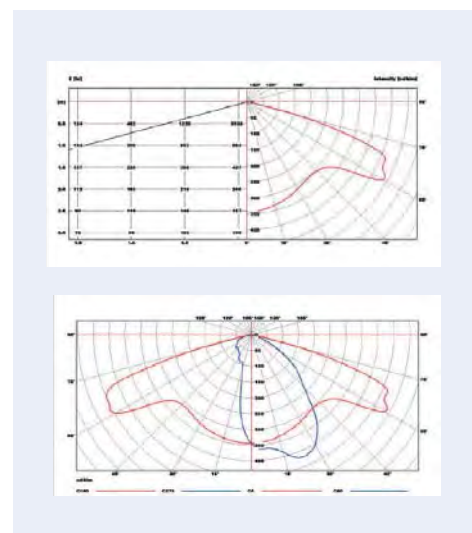
Options

Emergency kit	-
Dimmable	1-10V optional PLC optional

Dimensions



Light Curve



STREET LIGHT

12.5W



Optical and Electrical

Power	12.5W
Lumen output	1800lm
Colour temperature	4000K
CRI	>70
Efficacy	144lm/W
Beam angle	Asymmetric
Lifetime	50,000
IP rating	IP66

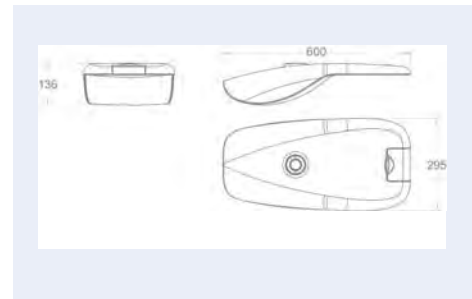
Mechanical

Operating temperature	-40°C/+50°C
Dimensions	600 x 295 x 136mm
Product weight	6.5kg

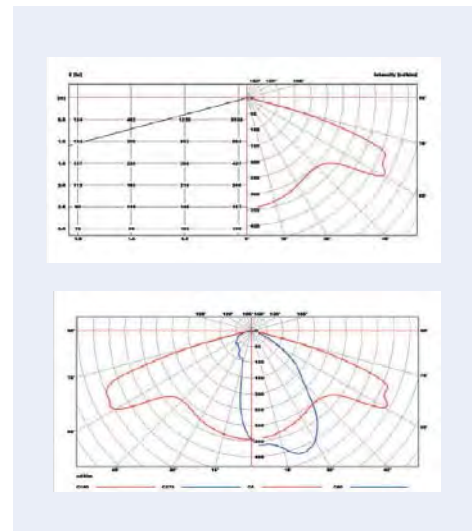
Options

Emergency kit	-
Dimmable	1-10V optional PLC optional

Dimensions



Light Curve



Sollatek's **expertise** extends **worldwide** through **local networks**



Global and Local

With a customer base across the world and a local presence in more than 50 countries, Sollatek is able to provide support services wherever you are.



SOLLATEK UK LTD.

Tel: +44 (1753) 214 500

sales@sollatek.com

www.sollatek.com

Sollatek (UK) Ltd.

Sollatek House, Waterside Drive, Langley, Slough SL3 6EZ UK



ISO9001: 2008 accredited company

All weights and dimensions are approximate. Specifications are subject to change without prior notice. ©Sollatek (UK) Limited 2012. All Rights Reserved. SOLLATEK and the SOLLATEK device are the trade marks of the Sollatek group of companies.